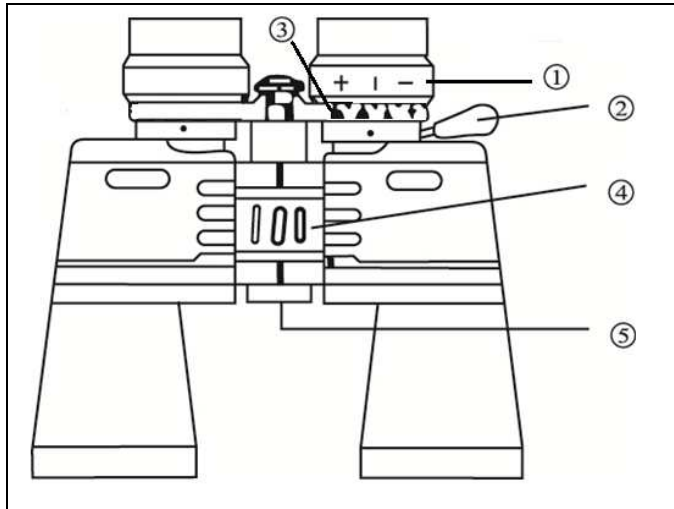


**A PRODUCT DESCRIPTION**

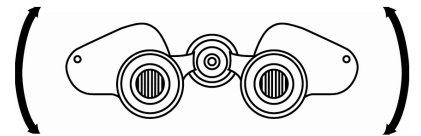
1. Diopter ring
2. Zoom lever
3. Magnification indication
4. Focus wheel
5. Tripod adapter nut

**B HOW TO USE YOUR BINOCULARS**

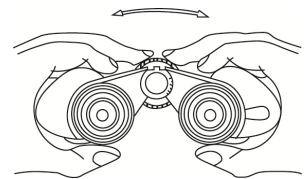
- Remove all four protective lens caps.
- Locate an object for viewing.
- Place binoculars comfortably at eye level and look through the eyepieces.

**C TO FOCUS**

- Adjust the angle between the left and right binocular cylinders until you can see a clear circle of view through the eyepieces. The binoculars are now adjusted to your eye width.



- Keep your right eye closed while looking through the left cylinder with your left eye. Adjust the focus wheel by rotating it until the object can be seen clearly and sharply.
- Close your left eye while looking through the right cylinder with your right eye. Adjust the diopter ring by rotating it until the object becomes clear and sharp. This allows you to adjust the possible difference between your two eyes.



**NOTE:** Adjust only the focus wheel while focusing on another object.

**D HOW TO USE ZOOM FEATURE**

- To bring an object closer (increasing the magnification), push the zoom lever to higher numbers. To obtain a wider field of view, push the zoom lever to lower number (decreasing the magnification).
- At lower magnification, a subject may appear sharper. You can adjust the zoom lever to find a good magnification and clarity for the chosen object.

**NOTE:** You may need to re-adjust the focus when viewing from low magnification to highest magnification.

## **E TECHNICAL SPECIFICATIONS**

- Magnification: 10 – 30x50
- Field of view: 62m/1000m

## **F HOW TO CARE FOR YOUR BINOCULAR**

- Keep the lens covers (that come with your binocular) on the lenses when binocular is not in use.
- When wiping the lenses, use the lens cloth that comes with the binocular, or a soft, lintless cloth.
- To remove any remaining dirt or smudges, add one or two drops of isopropyl alcohol to the cloth.
- Store your binocular in a moisture-free area.

## **G VERY IMPORTANT**

- Never attempt to clean your binocular internally or try to take it apart.

### **CAUTION!**



**Viewing the sun can cause permanent eye damage.  
Do not view the sun with this binocular or even with the naked eye.**

**Marketed by EUROTIPS VERSAND GMBH D-40764 LANGENFELD**