

Cordless Edge and Hedge Trimmer with LED Indicator

Cat. No.: 27421

WARNING:

Read the instructions thoroughly before operating the tool and keep this manual for future reference!

• INTENDED USE

Your hedge trimmer has been designed for trimming hedges, shrubs and brambles, and grass shear is for trimming grass only, not to be used for any other purpose. This tool is intended for consumer use only.

Your charger has been designed for charging batteries of the type supplied with this tool, **NOT ALLOWED TO CHARGE OTHER BATTERIES.**

• EXPLANATION OF SAFETY SYMBOLS



Caution!



Read the operating instructions!



Caution!

Cutting means continues to run after the motor is switched off!



Danger due to materials blown out of machine!



Remove persons in the vicinity from the danger area!



Do not expose the device to the damp!



Wear ear and eye protection!

● SAFETY INSTRUCTIONS

- **Warning!** Carefully observe the instructions in this manual to reduce the risk of personal injury or material damage.
- Read this entire manual carefully before operating the tool.
- Before operating the tool, make sure that you know how to switch the tool off in an emergency .
- Retain this manual for future reference.

General Safety Rules

WARNING! Read all instructions, failure to follow all instructions listed below may result in electric shock, fire and/or serious injury. The term “power tool” in all of the warnings listed below refers to your battery operated (cordless) power tool.

SAVE THESE INSTRUCTIONS

1) Work area

- a) Keep work area clean and well lit.** Cluttered and dark areas invite injuries.
- b) Do not operate power tools in explosive atmospheres, such as in the presence of flammable liquids, gases or dust.** Power tools create sparks which may ignite the dust or fumes.
- c) Keep children and bystanders away while operating a power tool.** Distractions can cause you to lose control.

2) Electrical safety

- a) Avoid body contact with earthed or grounded surfaces such as pipes, radiators, ranges and refrigerators.**
There is an increased risk of electric shock if your body is earthed or grounded.
- b) Do not expose power tools to rain or wet conditions.** Water entering a power tool will increase the risk of electric shock.

3) Personal safety

- a) **Stay alert, watch what you are doing and use common sense when operating a power tool. Do not use a power tool while your tired or under the influence of drugs, alcohol or medication.** A moment of inattention while operating power tools may result in serious personal injury.
- b) **Use safety equipment. Always wear eye protection.** Safety equipment such as dust mask, non-skid safety shoes, hard hat, or hearing protection used for appropriate conditions will reduce personal injuries.
- c) **Avoid accidental starting. Ensure the switch is in the off position before plugging in.** carrying power tools with your finger on the switch or plugging in power tools that have the switch on invites accidents.
- d) **Remove any adjusting key or wrench before turning the power tool on.** A wrench or a key left attached to a rotating part of the power tool may result in personal injury.
- e) **Do not overreach. Keep proper footing and balance at all times.** This enables better control of the power tool in unexpected situations.
- f) **Dress properly. Do not wear loose clothing or jewellery. Keep your hair, clothing and gloves away from moving parts.** Loose clothes, jewellery or long hair can be caught in moving parts.
- g) **If devices are provided for the connection of dust extraction and collection facilities, ensure these are connected and properly used.** Use of these devices can reduce dust related hazards.

4) Power tools use and care

- a) **Do not force the power tool. Use the correct power tool for your application.** The correct power tool will do the job better and safer at the rate for which it was designed.
- b) **Do not use the power tool if the switch does not turn it on and off.** Any power tool that cannot be controlled with the switch is dangerous and must be repaired.
- c) **Disconnect the plug from the power source before making any adjustments, changing accessories, or storing power tools.** Such preventive safety measures reduce the risk of starting the power tool accidentally.
- d) **Store idle power tools out of the reach of children and do not allow persons unfamiliar with the power tool or these instructions to operate the power tool.** Power tools are dangerous in the hands of untrained users.
- e) **Maintain power tools. Check for misalignment or binding of moving parts, breakage of parts and any other condition that may affect the power tools operation. If damaged, have the power tool repaired before use.** Many accidents are caused by poorly maintained power tools.
- f) **Keep cutting tools sharp and clean.** Properly maintained cutting tools with sharp cutting edges are less likely to bind and are easier to control.
- g) **Use the power tool, accessories and tool bits etc., in accordance with these instructions and in the manner intended for the particular type of power tool, taking into account the working conditions and the work to be performed.** Use of the power tool for operations different from intended could result in a hazardous situation.

5) Battery tool use and care

- a) **Recharge only with the charger specified by the manufacturer.**
- b) **Under abusive conditions, liquid may be ejected from the battery; avoid contact. If contact accidentally occurs, flush with water. If liquid contacts eyes, additionally seek medical help.** *Liquid ejected from the battery may cause irritation or burns.*

6) Service

Have your power tool serviced by a qualified repair person using only identical replacement parts. *This will ensure that the safety of the power tool is maintained.*

● IMPORTANT SAFETY INSTRUCTIONS FOR BATTERY CHARGER

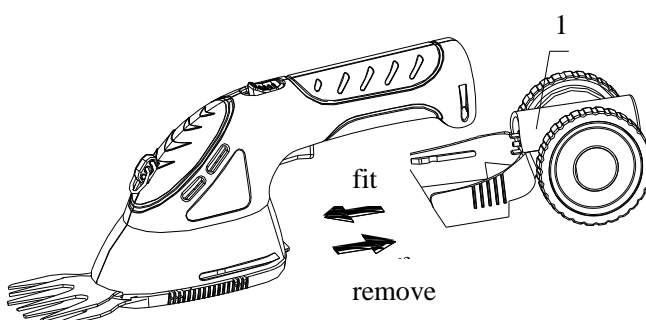
1. Before using charger, read all instructions and cautionary markings on charger.
2. This charger is not intended for any uses other than charging rechargeable batteries. Any other uses may result in risk of fire, electric shock or electrocution.
3. To reduce risk of damage to electric plug and cord, disconnect from mains socket by pulling the plug rather than the cord.
4. Make sure cord is located so that it will not be stepped on, tripped over, or otherwise subjected to damage or stress.
5. Do not place any object on top of charger or on a surface that might block the ventilation slots and result in excessive internal heat. Place the charger in position away from any heat source.
6. Do not operate charger if it has received a sharp blow, been dropped, or otherwise damaged in any way.
7. Do not disassemble charger. Take it to authorized service center when service or repair is required. Incorrect reassemble may result in a risk of electric shock, electrocution or fire.
8. To reduce risk of electric shock, unplug charger from outlet before attempting any cleaning. Removing the battery pack will not reduce this risk.
9. DO NOT store or use the tool in locations where the temperature may reach or exceed 105°F (such as outside sheds or metal buildings in summer).
10. The charger is designed to operate on standard household electrical power . Do not attempt to use it on any other voltage!

READ ALL INSTRUCTIONS CAREFULLY AND KEEP IN A SAFE PLACE FOR FUTURE REFERENCE.

1. Do not incinerate the battery even if it is severely damaged or is completely worn out. The battery can explode in a fire.
2. A small leakage of liquid from the battery cells may occur under extreme usage or temperature conditions. Do not use the tool any more.
3. Do not disassemble burn or short-circuit batteries.
4. Charge the battery only with the chargers supplied with the product.
5. **NOTE: The battery in your tool is the lithium-ion type, with no self-discharge or memory effect.**

● ASSEMBLY

Fitting/removing the wheels assembly



Fitting the wheels assembly (1):

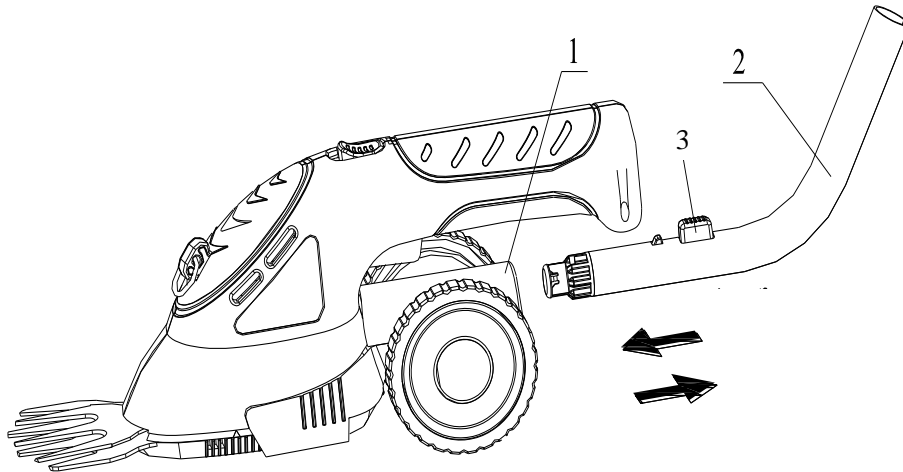
Push the wheels assembly (1) forward into the grass shear align the slot until both catches click into suitable place.

Removing the wheels assembly (1):

Pull the wheels assembly (1) backwards and remove.

WARNING: Do not turn on the switch when you fit or remove the wheels assembly. This can cause a serious injury.

1, Fitting/removing the telescopic swivel handle



Fitting the telescopic swivel handle assembly:

Guide the swivel handle assembly (2) at the desired angle between 0° and 360° into the handle holder of the wheels assembly (1) until the lock engages.

The starting lockout and ON button on the tools no longer function when the swivel handle is mounted.

Removing the telescopic swivel handle assembly (2):

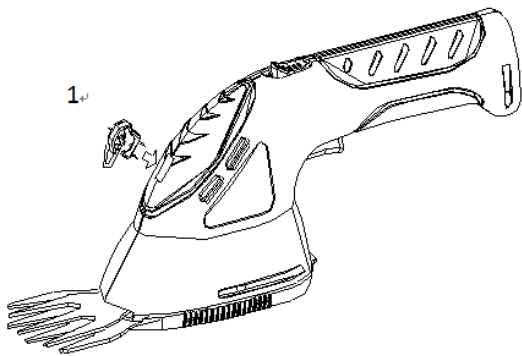
Press the release button (3) and pull out the swivel handle assembly (2).

WARNING: Do not turn on the switch when you fit or remove the wheels assembly. This can cause a serious injury.

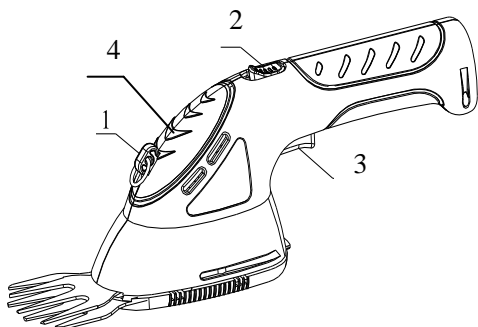
● **OPERATING YOUR TOOLS**

Warning: insert the safety key before operation. Remove it when no use the machine!

Cutting without swivel handle:



1. Insert safe lock 1



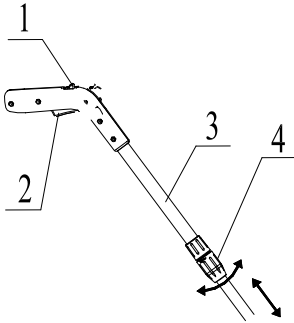
2. Push lock-off button (2) forward and press switch (3).

3. Release the lock-off button (2) again.

NOTE: If the LED (4) lights in red when use this tool, it means the battery is empty. Stop working at once and charge the battery with the charger we provided.

Cutting with swivel handle:

The swivel handle is fully height adjustable and can be adapted to suit your height. And the swivel handles can be inserted in **8** positions between 0°and 360°.



1. Attach the swivel handle.
2. Hold the tube (3) with one hand, and then loosen the adjusting bolt (4).
3. Set the handle to the correct length and tighten the adjusting bolt (4).
4. Push lock-off button (1) forward and press switch (2).
5. Release the lock-off button (1) again.

Warning: Do not turn on the switch when you adjust the swivel handle. This can cause a serious injury.

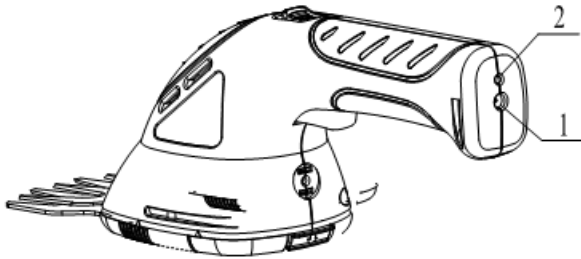
● CHARGE

The battery can be charged in about 3-5 hours. Be sure to read all safety instructions before using your charger. This product is not user serviceable. There are no user serviceable parts inside the charger. Servicing at an authorized service center is required to avoid damage to static sensitive internal components.

Read all of the instructions in the battery charger section to this manual before attempting to charge the battery in your tool.

1. Charging procedure

These chargers require no adjustment and are designed to be as easy as possible to operate.



- (1). Connect the power cord of the charger with a wall socket and the charging socket (1) of the grass and hedge shear. The charging indicator lamp (2) lights red.

After charging the battery for 3-5 hours, the charging indicator lamp lights green.

- (2). Remove the charger from the grass and hedge shear and unplug the power cord from the wall socket.

Hint: The grass and hedge shear cannot be operated while charging process!

2. Important charging notes.

Longest life and best performance can be obtained if the battery pack is charged when the air temperature is between 65°F-75°F (18-24°C). Do not charge the battery in an air temperature below +40°F(+4.5°C), or above +105°F(+40.5°C). This is important and will prevent serious damage to the battery.

(1).The charger and battery may become warm to touch while charging. This is a normal condition, and does not indicate a problem.

(2). Use the charger in normal room temperatures whenever possible. To prevent overheating, do not cover the charger and do not charge battery in direct sunlight or near heat sources.

(3). If the battery does not charge properly — ①check current at receptacle by plugging in a lamp or other appliance.

②check to see if receptacle is connected to a light switch which turns power off when you turn out the light. ③move

charger and battery pack to a location where the surrounding air temperature is approximately 65°F-75°F(18-24°C). ④ If charging problems persist, take or send the tool and the charger to your local service center.

(4). The battery should be recharged when it fails to produce sufficient power on jobs which were easily done previously.

DO NOT CONTINUE to use under these conditions. Follow the charging procedure.

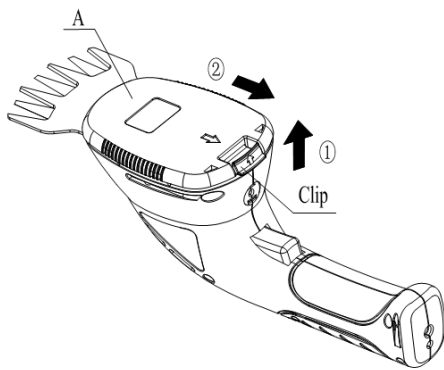
(5). Under certain conditions, with the charger plugged in to the power supply, the exposed charging contacts inside the charger can be shorted by foreign material. Foreign materials of a conductive nature such as, but no limited to, steel wool, aluminum foil, or any buildup of metallic particles should be kept away from charger cavities. Always unplug the charger from the power supply when there is no battery pack in the cavity. Unplug charger before attempting to clean.

(6). Do not immerse charger in water or any other liquid.

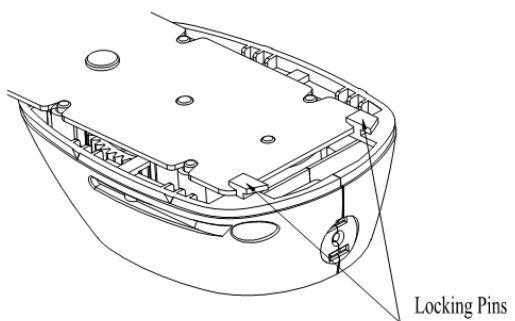
(7). **WARNING:** don't allow any liquid to get inside charger. Electric shock may result. To facilitate the cooling of the battery pack after use, avoid placing the charger or tool in a warm environment such as in a metal shed, or an uninsulated trailer.

●CHANGE THE BLADES

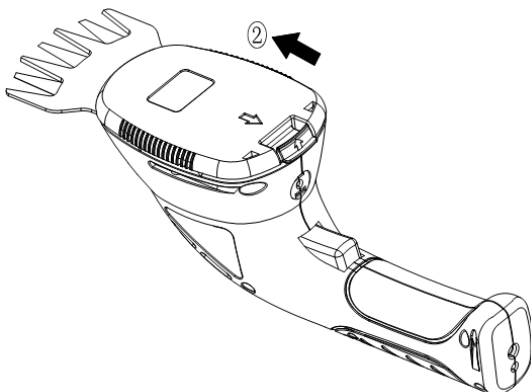
Important! DO NOT operate the switch before dismantling or fitting the blades. Risk of injury!



1. Turn the grass and hedge shear upside down and press the clip of the blade cover (A) (step 1) downwards. Hold the blade cover firmly and pull the cover forwards to remove from the grass and hedge shear (step 2).
2. Either insert the blades for scrubs/hedge in the grass and hedge shear or the grass blades. The blades fit only in one position into place.



3. Lightly tilt the blades and insert into the grass and hedge shear. Make sure the blades fit under both locking pins. Press the blades down.



4. Place the blade cover on the grass and hedge shear and slide the cover in direction to the blades until it locks noticeable.

●MAINTENANCE AND REPAIR

Do not rinse the machine with water.

The cutter should be stored in a dry place when it is not in use.

Before every use of this cutter, check whether the blade is in good order and it must be repaired in time if damage has been found.

The blade should be cleaned and lubricated in time after every use of the cutter. When the cutter is to be used for a long time the blades should be lubricated during operations interval.

DISPOSAL:

The packaging material is reusable. Dispose of the packaging in an environmentally friendly way by putting it in the appropriate recyclable waste collection containers.



Dispose of the product and the batteries in view of the environment if you want to separate. The device and the batteries must not be thrown in with domestic waste. Take them to a recycling center for used electrical and electronic devices. For more information you can consult your local government. Remove batteries first.

Eurotops Versand GmbH
Elisabeth-Selbert-Straße 3
40764 Langenfeld, Germany



If technical support is needed, please call ...

in Germany 0180 . 530 63 63* or info@eurotops.de

in Austria 01 . 230 60 43 12 or info@eurotops.at

in Switzerland 044 . 28 36 125 or info@eurotops.ch

in the Netherlands 026 . 37 36 333 or info@eurotops.nl

in France 0892 . 700 470** or info@eurotops.fr

* 14 Cents/minute via German landline, max. 42 cents/minute via mobile phone network

**34 Cents/minute via French landline

A possible return of products should be addressed to the return address stated on your invoice.

The manual only reflects the technical conditions available under printing. Any changes in technology and equipment are reserved.

© 15.01.2016