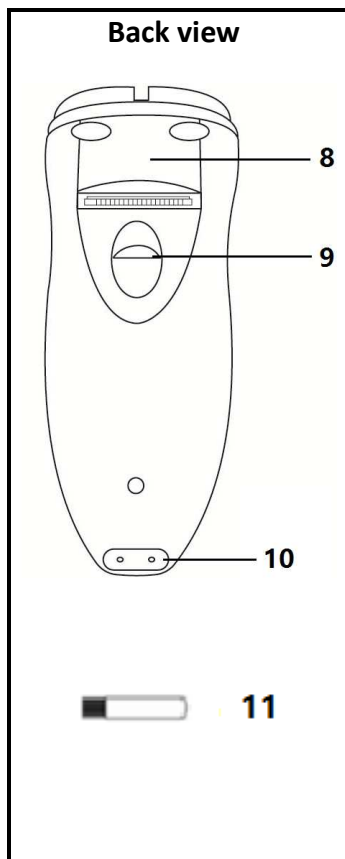
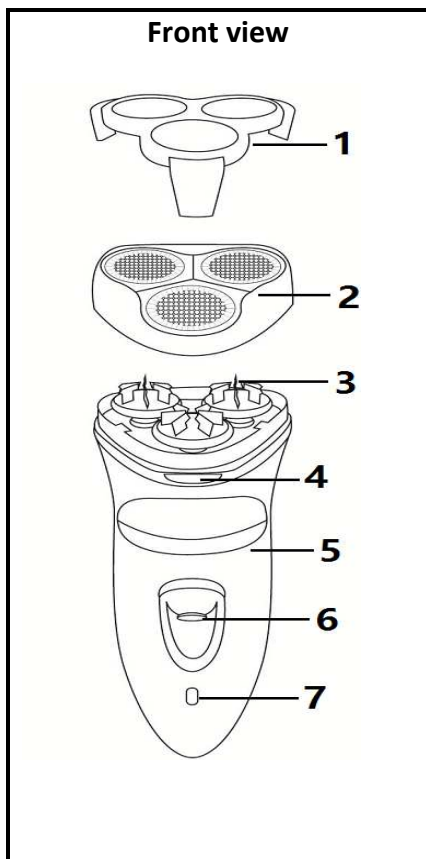


3-HEAD RECHARGEABLE ELECTRIC SHAVER INSTRUCTION MANUAL

A. DESCRIPTION



1. Protective cover
2. 3 rotary heads
3. Cutter
4. Outer-cutter button
5. Body
6. ON/ OFF Switch
7. Indicator light
8. Trimmer
9. Button for opening the trimmer
10. Adaptor outlet
11. Brush

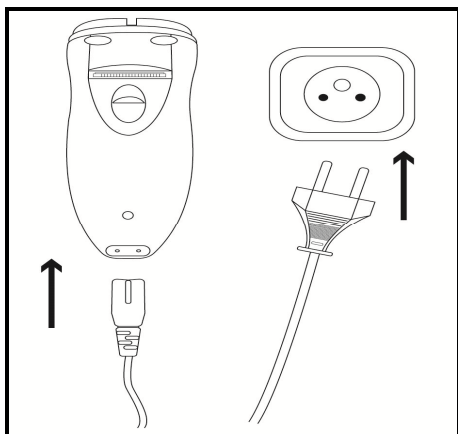
The shaver is supplied with a pouch.

B. TECHNICAL SPECIFICATIONS

220-240V 50 Hz 3W

Battery : Ni-Mh 1x AA 600mA / 1,2V

C. CHARGING YOUR SHAVER



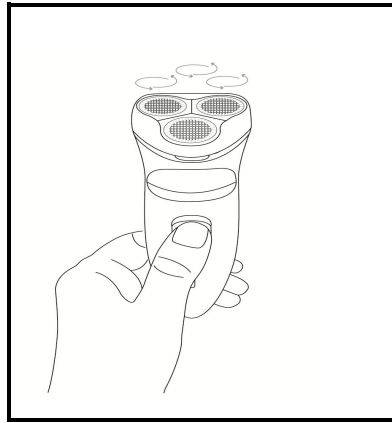
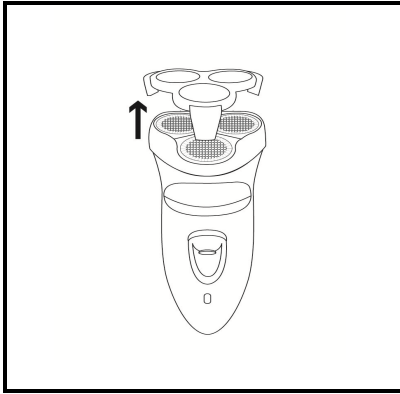
Note : The indicator remains green at the beginning and at the end.

Charging time : 12H

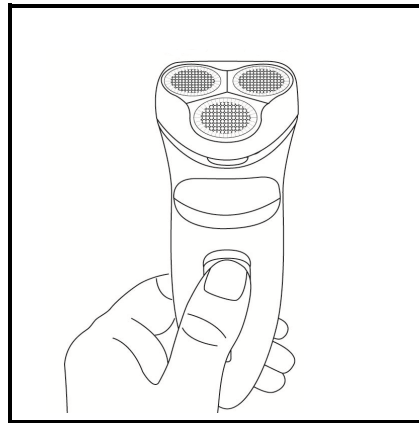
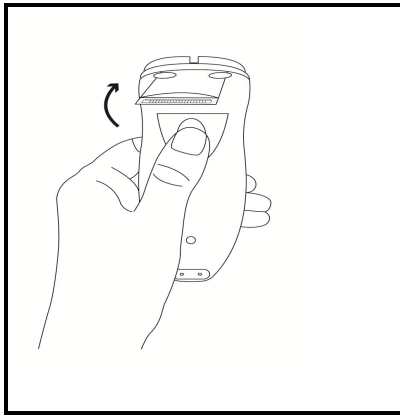
Autonomy after full charge : 60m

D. HOW TO USE THE SHAVER AND TRIMMER

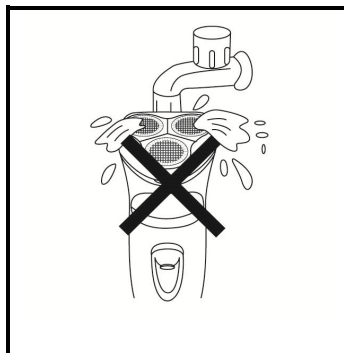
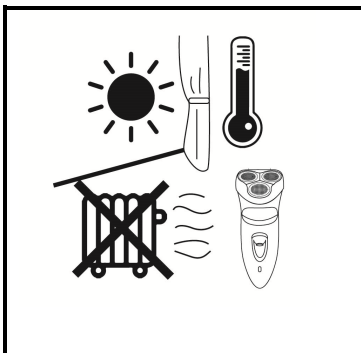
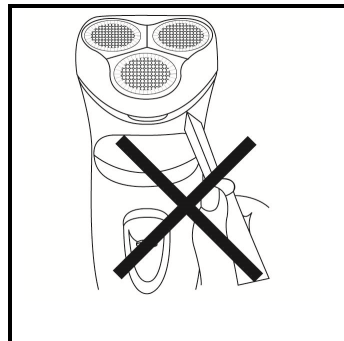
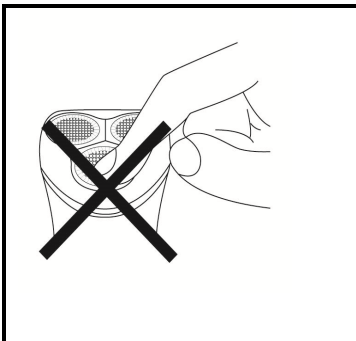
a. Turning on your shaver



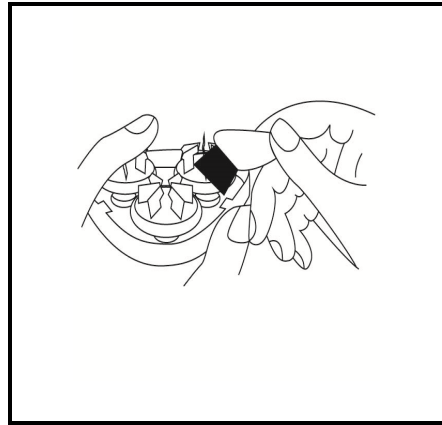
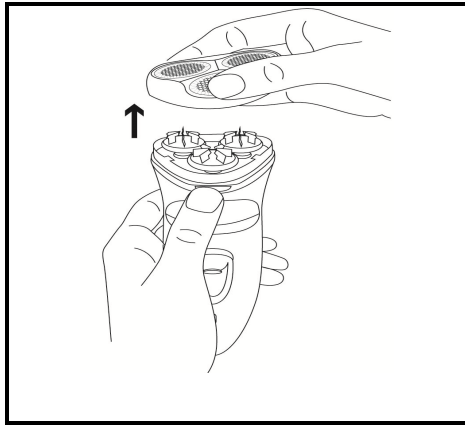
b. Trimmer (8)



E. WARNINGS



F. MAINTAINANCE

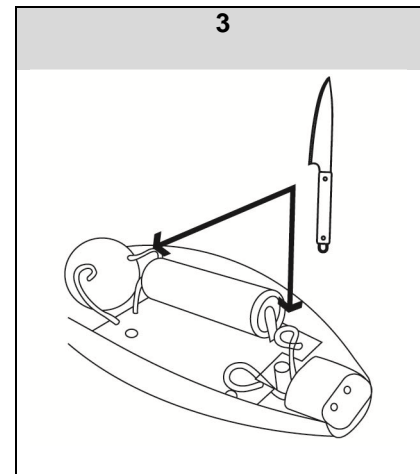
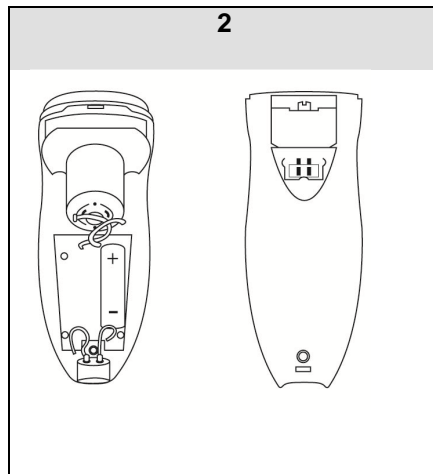
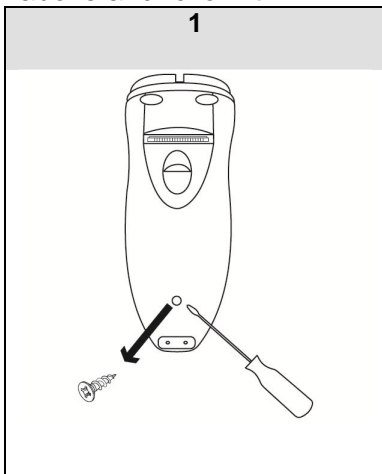


G. SAFE INSTRUCTIONS FOR BATTERY:

- The battery should not be removed until it is not completely discharged.
- The battery must be removed from the appliance before it is scrapped.
- The appliance must be disconnected from the mains supply when removing the battery. You should unplug the charger and then remove the plug that connects to the shaver.
- Do not plug the shaver after removing the battery.
- The battery must be disposed of safely.

Procedure to remove the battery

Before starting any operation on the removal of the battery, please read the safety instructions provide above and follow it.



WARNING: You should not dispose of this device with your household waste. A selective collection system for this type of product is implemented by your local authorities. Please contact your local authorities to find out how and where collection takes place. These restrictions apply because electrical and electronic devices contain dangerous substances that have harmful effects on the environment or on human health and must be recycled.

This symbol indicates that electrical and electronic devices are collected selectively. The symbol shows a waste container crossed out with an X symbol.

Imported by PRODIS SAS, 1 rue de Rome, 93110 Rosny-sous-Bois, France
Marketed by EUROTUPS VERSAND GMBH D-40764 LANGENFELD, Germany
Made in PRC



