

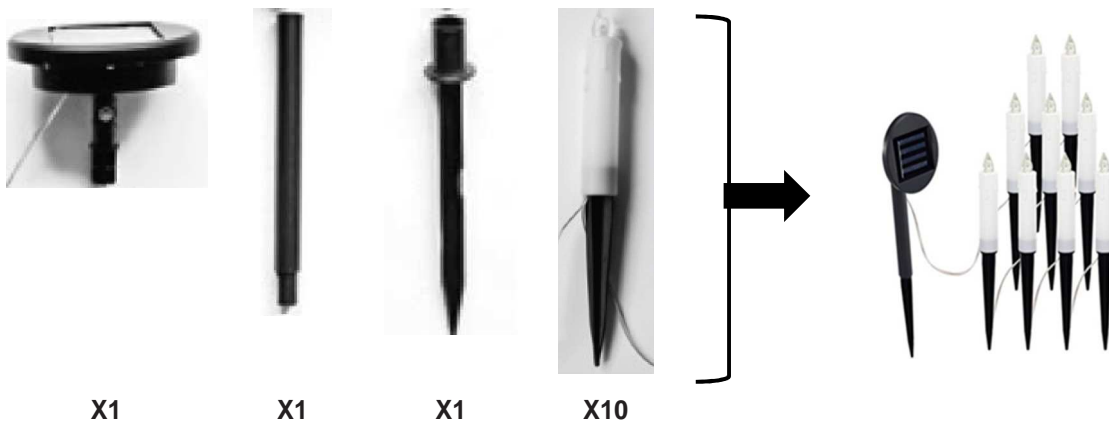
MD723

## SOLAR STRING LIGHT OF 10 COLOURFUL CANDLES

### USER INSTRUCTIONS

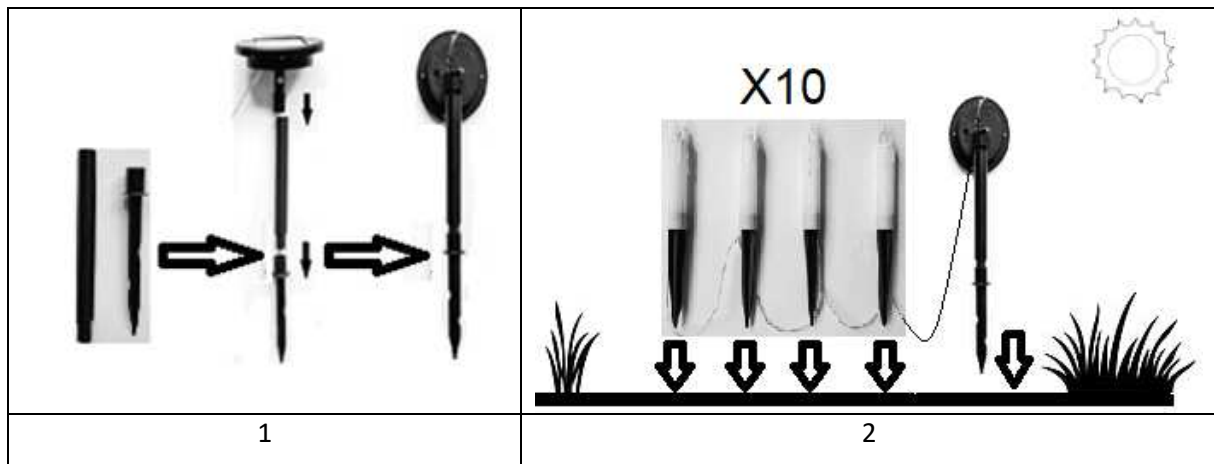
**READ THESE INSTRUCTIONS THOROUGHLY BEFORE USING THE PRODUCT FOR THE FIRST TIME, AND KEEP THEM FOR FUTURE REFERENCE.**

#### A. PRODUCT DESCRIPTION



#### B. ASSEMBLY INSTRUCTION

##### STAKE INSTALLATION



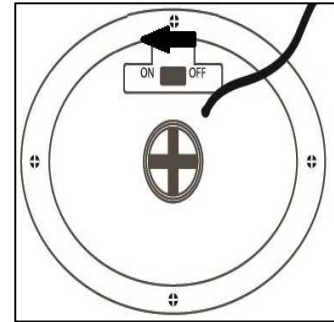
#### C. TECHNICAL SPECIFICATIONS

Rechargeable battery: 1XAA(included) 1.2V  600Mah, Ni-MH

#### D. CHARGING AND OPERATION

**BEFORE FIRST USE:** Remove the protective film from the solar panel.

- Set button which is located on the back of solar case to “ON” position for charging. Charge the solar product by direct sunlight for at least 8 hours.
- Solar light will work automatically, it will automatically charge under direct sunlight during the day time and illuminate at night.



**NOTE:** In order to verify that the button is correctly in the “ON” position, cover the solar panel with your hand and light should turn “ON” automatically.

### IMPORTANT

- Install the solar product in an area where it can get direct sunlight.
- Leave the button to “ON” position.
- Select an outdoor location away from other light sources at night, such as street lights. It may cause the product not to turn on automatically at night.
- Duration of light depends on solar product’s level of sunlight exposure, geographical locations, weather conditions and the hours of daylight.

## E. BATTERY INSTALLATION

Step1: Unscrew the battery compartment cover by using a head screwdriver (not included).

Step2: Remove the exhausted battery and install 1pc new AA rechargeable battery according to the +/- symbol polarity indicated on the battery compartment.

**Note:** Open the compartment carefully and ensure that welding wires inside the battery terminals are not damaged.

Step3: Replace battery compartment cover, screw it back into position and make sure is properly sealed.

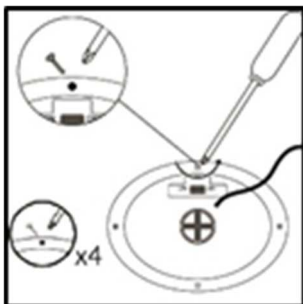


Fig.1

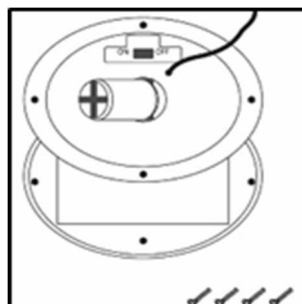


Fig.2

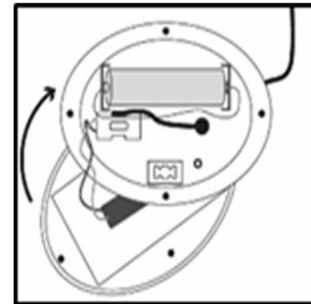


Fig.3

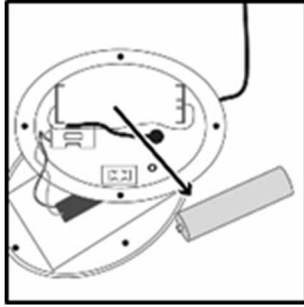


Fig.4

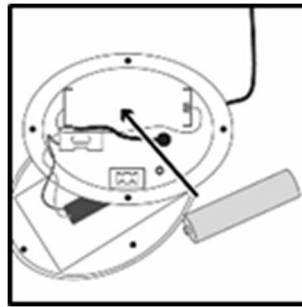


Fig.5

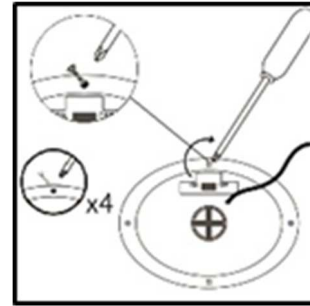


Fig.6

## F. MAINTENANCE

- Make sure the button is set to “ON” position.
- Keep the solar panel clean.
- If solar product does not light up after it has been used for around 8 – 12 months, replace the rechargeable batterie as it may be weak or worn out.

## G. WARNING ON BATTERIES

- Don't attempt to recharge non-rechargeable batteries.
- Remove used batteries.
- Never short the power supply terminals.
- Always use the recommended or equivalent battery types.
- Always pay attention to battery polarity.

WARNING: You should not dispose of this device with your household waste. selective collection system for this type of product is implemented by your local authorities. Please contact your local authorities to find out how and where collection takes place. These restrictions apply because electrical and electronic devices contain dangerous substances that have harmful effects on the environment or on human health and must be recycled.

This symbol indicates that electrical and electronic devices are collected selectively. The symbol shows a waste container crossed out with an X symbol.

If the power cable is damaged, it must be replaced by the manufacturer, his after sales service, or a person qualified in this area in order to avoid any accidents arising.

Imported by PRODIS SAS, 1 rue de Rome, 93110 Rosny-sous-Bois, France  
 Marketed by EUROTUPS VERSAND GMBH D-40764 LANGENFELD, Germany  
 Made in PRC

