

EP614

PORTABLE RADIO WITH MOTION DETECTOR

INSTRUCTIONS FOR USE

Please read this manual carefully before using the device for the first time and keep it for future reference if necessary.



GENERAL SAFETY INSTRUCTIONS

- **This device can be used by children aged 8 years or older and by persons with reduced physical, sensory, or mental abilities or lacking experience or knowledge, provided they are supervised or have received instructions for using the device safely and understand the hazards involved.**
- **Children must not use the device as a toy.**

- For indoor use only.

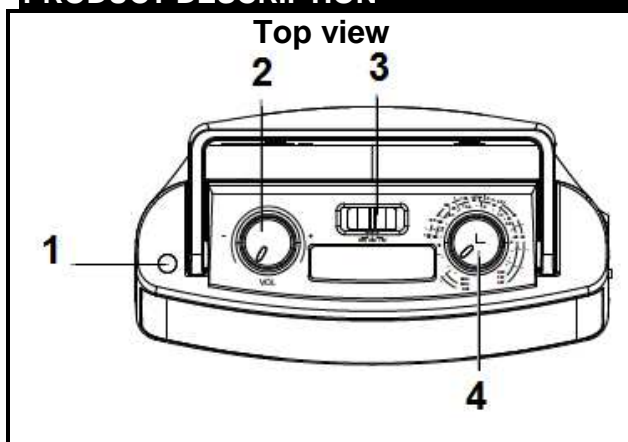
- The device must not be exposed to splashes or no objects filled with liquids, such as vases, must be placed on the device.

SAFETY INSTRUCTIONS

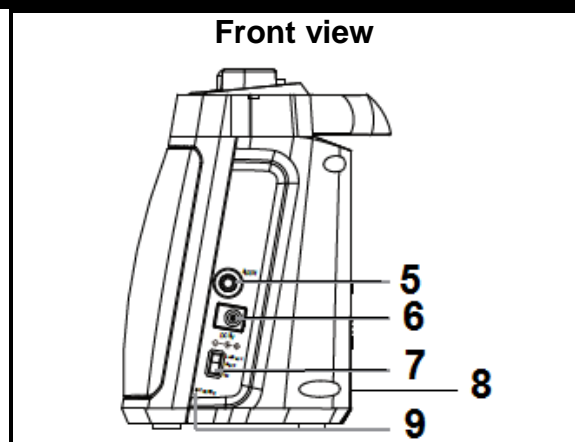
- Do not use the radio for a use other than that intended.
- Before connecting the radio to the power supply, check that the voltage indicated on the rating plate corresponds to the mains supply.
- Always connect your device to a power outlet that is easily accessible.

- When you disconnect the power cable, always pull it by the plug. Do not pull on the cable itself.
- Do not wrap the cord around the device and do not twist it.
- Never immerse the device, power cable or plug in water or any other liquid.
- Do not handle the device or cable with wet hands.
- It is recommended to regularly examine the device. Do not use the device:
 - If the plug or power cable is damaged,
 - If the device has been damaged in any way,
 - If it has dropped.
- Always disconnect the power cord of the device in the following cases:
 - At the end of each use
 - Before any maintenance
 - In case of failure or malfunction
 - In case of prolonged non-use
- Never attempt to repair the device yourself. If it is damaged, it must be repaired by a qualified technician or a specialised workshop in order to avoid any danger.
- Use only the accessories supplied with the device.
- Keep away from heat sources, direct sunlight, moisture, high temperatures, water or other liquids.
- Do not expose the radio to shocks or violent falls.
- Do not modify, disassemble or puncture.
- Do not attempt to repair the radio. All repairs must be performed by a qualified technician.

PRODUCT DESCRIPTION



1. Telescopic antenna
2. Volume button
3. Frequency selection button
4. Tuning knob
5. AUX plug



6. 5V DC plug (not supplied - See specifications in section below: "Technical Specifications")
7. MODE button (radio only or AUX - Off - radio with motion detector)
8. Plug for the power adapter (back of the device)
9. Power indicator

TECHNICAL SPECIFICATIONS

The radio can be switched on by 2 power sources of choice:

- 1) By plugging the mains power cable (included) into the "AC IN" power socket (8), on the back of the radio.

Notes:

- The cable is located inside the battery compartment.

- The power indicator **(9)** only lights up when the power adapter is plugged in. It does not light up when the radio is powered by batteries.

2) After you have inserted **2 D/ LR20 batteries** (not included), 1.5V each.

Technical specification details

- **230V~ 50Hz 1.5W**
- **Or 2 D/ LR20 batteries, 3V**
- Frequency bands:
 - FM: 88-108 MHz
 - AM: 530-1600 KHz
 - SW: 8 -18 MHz

Technical specifications for 5V mains power adapter

- **Input: 220-240V~ 50Hz 0.15A**
- **Output: 5V 500 mA**
- **Tip type: female**
- **Tip diameter: 6.3mm**

RADIO OPERATION

USE OF RADIO ONLY

- Position the Mode button **(7)** on the "RADIO/ AUX" position to use the radio only without the motion detector function.
- Adjust the Volume knob **(2)** to set to the desired volume.
- Place the Selection knob **(3)** on the desired frequency: FM, AM or SW.
- Turn the Tuning knob **(4)** to choose your station.

Note:

During FM or SW reception, pull the telescopic antenna **(1)** to its entire length and adjust the angle if necessary.

During AM reception, position your radio so that the built-in antenna can obtain an optimum reception quality.

- Place the MODE button **(7)** in the "OFF" position when you have finished.

USING THE RADIO WITH THE MOTION DETECTOR FUNCTION

Motion detector details:

- Type of sensor: PIR
- Detection distance: 6 meters
- Detection angle: 90° (adjustable)

1. Turn on the radio and choose your station so that the radio switches itself on as soon as it detects a movement.
2. Place the Mode button **(7)** on the "AUTO" position to activate the motion detector.
3. The radio will automatically turn on to your previously chosen station when you enter the room.
4. It will turn off after 3 minutes if no more movement is detected.
5. If you want to disable the motion detector and turn off the radio, place the Mode button in the "OFF" position.



Capteur PIR
Distance de
détection: 6 mètres



Bouton MODE
sur "AUTO"



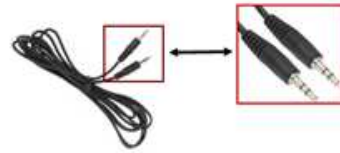
La radio s'éteint
au bout de 3 minutes
si aucun mouvement
est détecté.



Position OFF
Fonctions détecteur
de mouvement et radio
désactivées

AUX AUDIO (AUXILIARY) INTERFACE

1. Place the Mode button in the RADIO/ AUX-IN position.
2. Connect the radio to a computer, MP3 player, etc. through a dual 3.5mm male cable jack (not included - see photo beside).
3. After this connection has been made, the MP3 audio files contained on your computer may be heard on the radio. Actually, it serves as an external speaker.



Câble double prise jack mâle 3.5mm

WARNING REGARDING BATTERIES

- If the radio is powered by batteries and the sound becomes low, replace the old batteries with new ones.
- If you do not plan to use the radio for a long period, please remove the batteries.
- Do not mix alkaline, ordinary (zinc carbon) and rechargeable batteries (nickel hydride).
- Do not mix old and new batteries.
- Do not try to recharge non-rechargeable batteries.
- Remove the rechargeable batteries from the device (if possible) before charging them.
- Rechargeable batteries must always be recharged under the supervision of an adult.
- Remove the old batteries.
- Do not short circuit the power terminals.
- Always use the recommended batteries or an equivalent type.
- Make sure that the batteries are correctly inserted according to polarity.

WARNING: You should not dispose of this device with your household waste. A selective collection system for this type of product is implemented by your local authorities. Please contact your local authorities to find out how and where collection takes place.

These restrictions apply because electrical and electronic devices contain dangerous substances that have harmful effects on the environment or on human health and must be recycled.

This symbol indicates that electrical and electronic devices are collected selectively. The symbol shows a waste container crossed out with an X symbol.

Imported by Prodis SAS 1 rue de Rome 93110 ROSNY SOUS

BOIS-France/ Made in PRC

**Marketed by EUROTUPS VERSAND GMBH D-40764
LANGENFELD**

