

Instruction manual

PLEASE READ THE MANUAL BEFORE YOUR FIRST USE. KEEP THIS MANUAL SAFE FOR FUTURE REFERENCE!

PRODUCT DESCRIPTION

COB LED Lamps

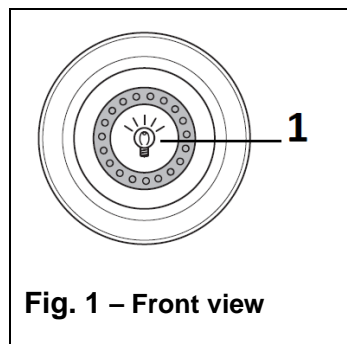


Fig. 1 – Front view

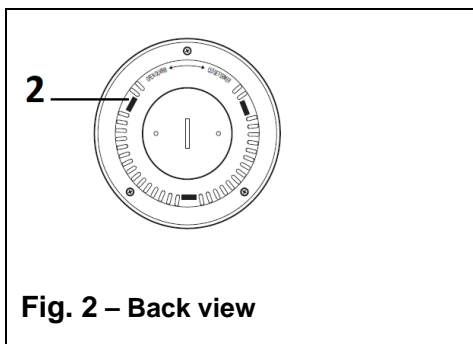


Fig. 2 – Back view

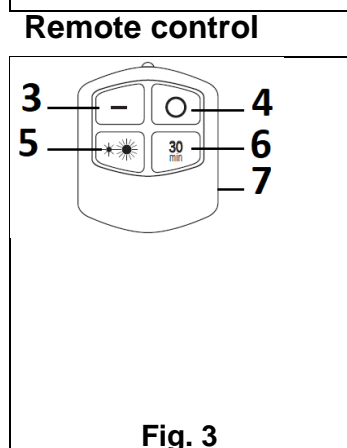


Fig. 3

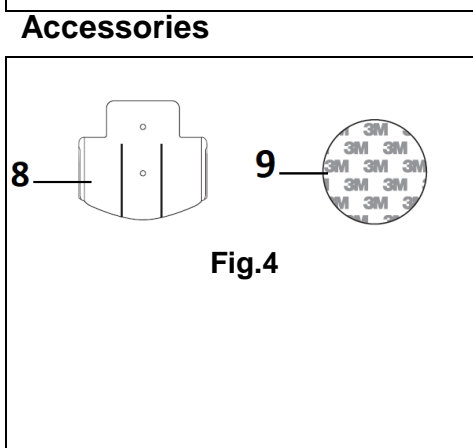


Fig.4

COB LED lamps

- 1. ON/ OFF button (manual)
- 2. Battery compartment

Remote control

- 3. ON button
- 4. OFF button
- 5. Button to adjust the light
- 6. Button to activate the timer
- 7. Battery compartment (at the back)

Accessories

- 8. Wall fixation
- 9. Double sided adhesive (x3)

TECHNICAL SPECIFICATIONS

Batteries:

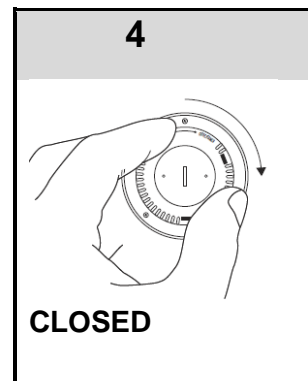
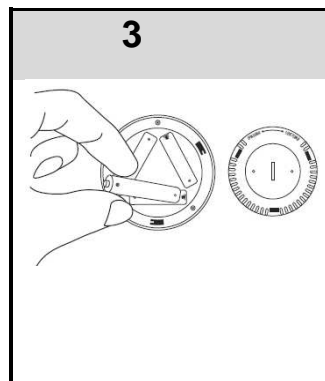
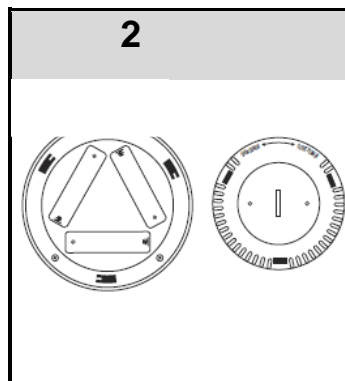
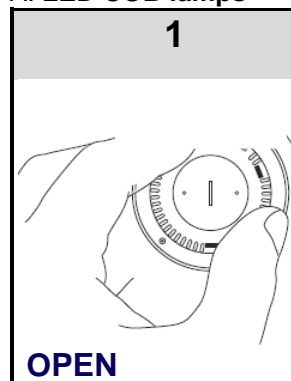
Remote control: 2xAAA/LR03 (not included), 3V ---

COB LED Lampe: 3xAAA/LR03 (not included), 4.5V ---

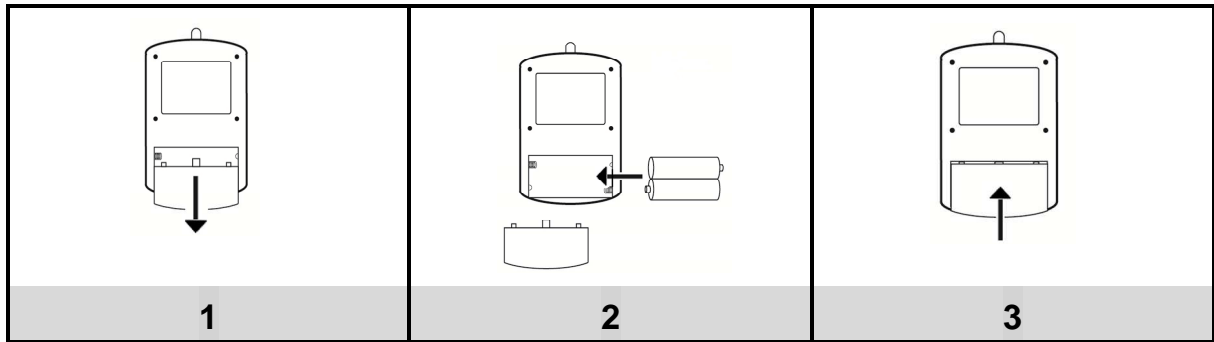
3 x white COB LED lamps:3W/ Strong intensity (120 lumens), Low intensity(70 lumens) for each COB.

BATTERY INSTALLATION

A. LED COB lamps

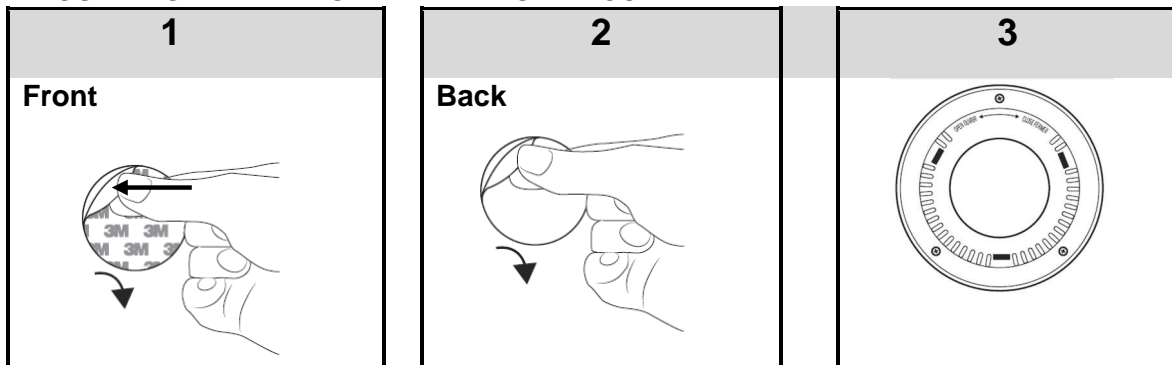


B. Remote control

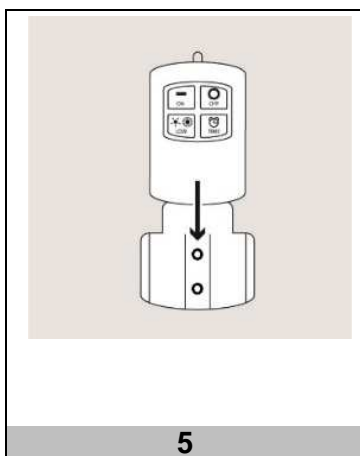
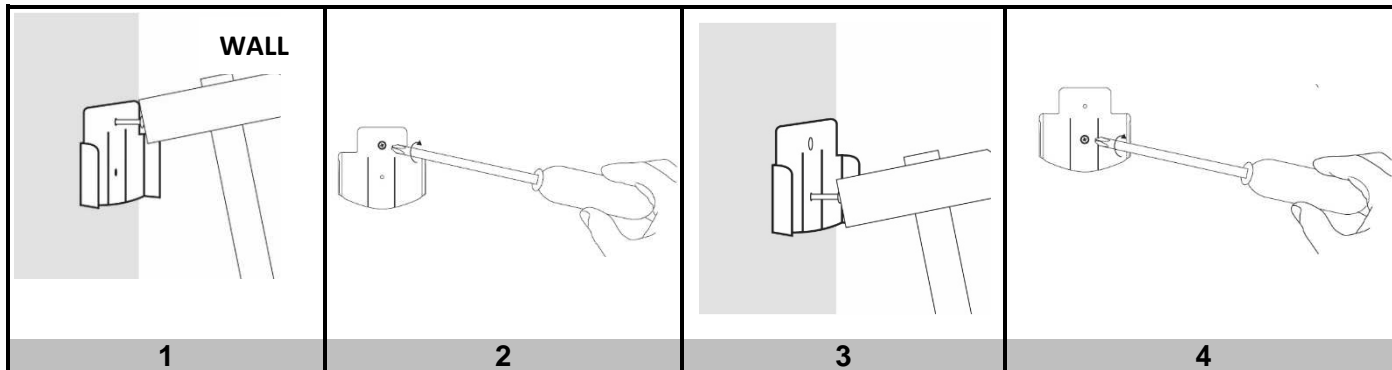


INSTALLATION INSTRUCTIONS

1. DOUBLE -SIDED ADHESIVE - LAMPES LED COB



2. SCREW - REMOTE CONTROL



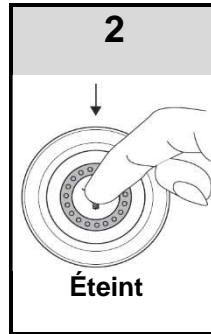
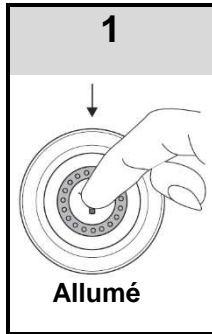
NOTES:

1. Please make sure that the surface of the chosen location for the installation of the lamps and the remote control is clean and smooth.
2. The maximum range of the remote control is 10 meters.
3. The remote control can control all lamps at the same time. However, it is possible that it controls only the lighting (turning on) and extinguishing (turning off) of one or two lamps instead of three. This is because the receiver of the lamps in question does not pick up the infrared rays emitted by the infrared diode of the remote control. In this case, press the button again to switch the lamp on or off.

OPERATION FOR THE LAMP AND REMOTE CONTROL

COB MANUAL OPERATION OF THE COB LED LAMPS

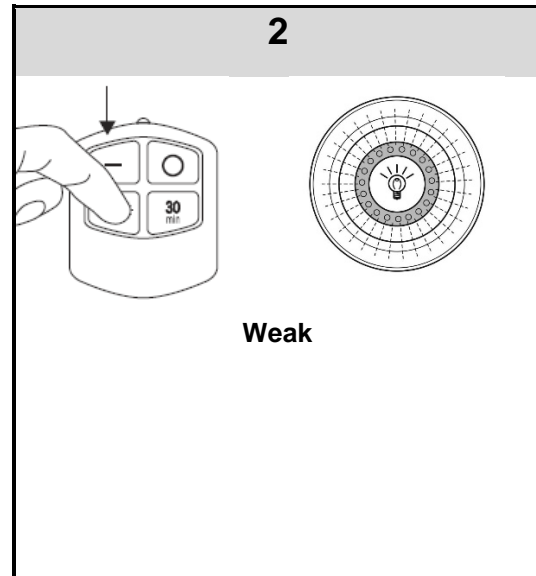
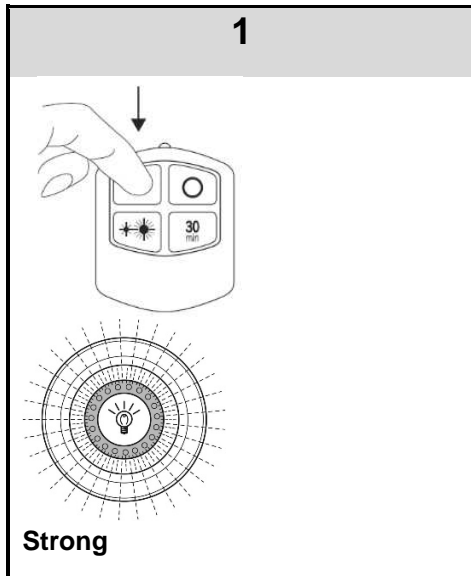
You can turn on or off each lamp individually by pressing manually the center of the lamp.



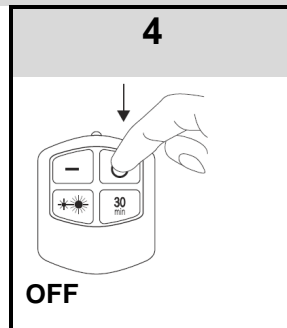
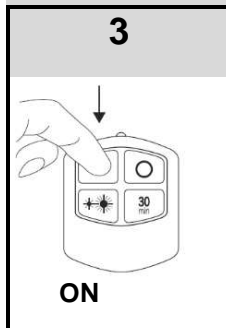
- Do not shine light directly into eyes.
- Do not stare directly at the light beam.

ADJUSTING THE LIGHT INTENSITY

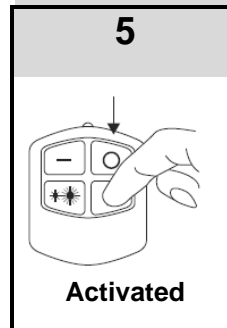
The COB LED lamp has 2 lighting modes: strong and weak intensity.



USE OF THE REMOTE CONTROL



TIMER FUNCTION



Press « 30 min.» once. The lamps flash twice and turn off after 30 minutes.

AVERTISSEMENTS

1. Keep away from sources of heat, direct sunlight, humidity, water or other liquids.
2. Do not immerse in water.
3. Do not subject to shocks or violent impacts.

4. Do not drop, short-circuit, modify, disassemble or puncture it.
5. It is not a toy. Keep out of reach of children. Children should be supervised to ensure that they will not play with the product.
6. The remote control can not function through the walls.
7. Hang the item in a safe, secure and dry place.
8. Before drilling, make sure there are no tubes or conduits behind the intended chosen location.
9. Do not expose the item to extreme temperatures, direct sunlight, extreme temperature changes, or humidity.
10. This product should not be used in rooms with high rate of humidity, such as bathrooms.
11. If necessary, clean the item with a damp, soft cloth.
12. Please change the batteries of the remote control if the range of the remote control decreases.
13. Do not try to repair the LED lamps and the remote control. All the repairs must be made by a qualified technician.

WARNINGS ON BATTERIES

- Remove the batteries if you plan not to use the LED lamps and the remote control during a long period.
- Never mix alkaline, standard (carbon-zinc) and rechargeable (nickel hydride).
- Don't mix new and used batteries.
- Don't attempt to recharge non-rechargeable batteries.
- Remove rechargeable batteries from the device (if possible) before charging them.
- Rechargeable batteries must always be recharged under adult supervision.
- Remove used batteries.
- Never short the power supply terminals.
- Always use the recommended or equivalent battery types.
- Always pay attention to battery polarity.

WARNING: You should not dispose of this device with your household waste. A selective collection system for this type of product is implemented by your local authorities. Please contact your local authorities to find out how and where collection takes place. These restrictions apply because electrical and electronic devices contain dangerous substances that have harmful effects on the environment or on human health and must be recycled.



This symbol indicates that electrical and electronic devices are collected selectively. The symbol shows a waste container crossed out with an X symbol.

**Imported by PRODIS SAS, 1 rue de Rome, 93110 Rosny-sous-Bois, France/ Made in PRC
Marketed by EUROTOPS VERSAND GMBH D-40764 LANGENFELD, Germany**

