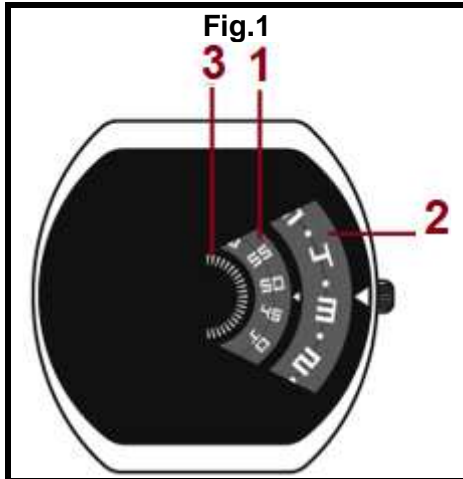


DISK DIAL WATCH FOR MEN

INSTRUCTION MANUAL

BEFORE USING: To start your watch, please remove the plastic stopper between the watch and the crown. Turn the crown until the right time is set. Then push the crown against the watch.



1. Minutes

2. Hours

3. Seconds

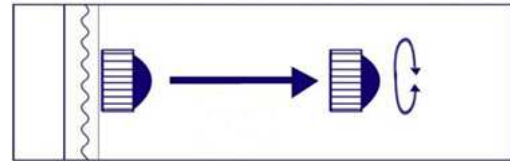
Note : The seconds cannot be set. .

TIME SETTING

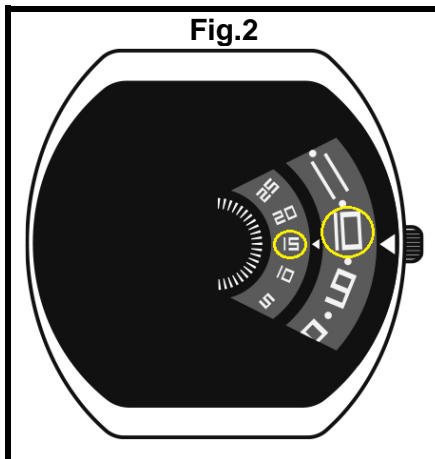
Position 0: Normal running position

Position 1 : Time Setting

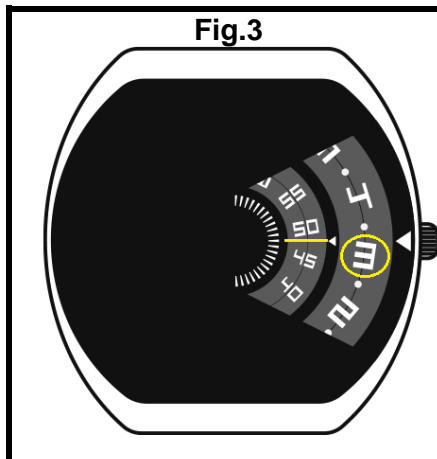
- Gently pull the crown to position 1 and then turn in either direction to set the time.
- Push the crown back into position 0 to confirm and finish.



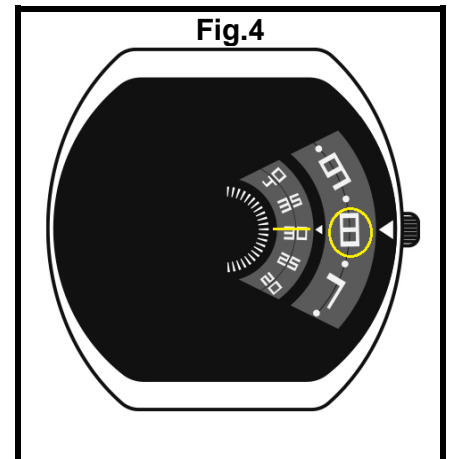
Below are some examples for reading the time:



It is 10:15AM or 10:15PM.



It is 3.49AM or 15H49PM.



It is 8:31AM or 8:31PM.

SPECIFICATIONS

- 1 pile bouton type SR626SW, 1,55V---
- 1 ATM

WARNING

- To prolong the appearance of your watch, avoid contact with the following :Perfumes, hairspray, cosmetics, detergents, adhesives and paints as they cause discoloration, deterioration and damage.
- To help prevent possible damage from perspiration, dust and moisture, periodically wipe your watch with a soft dry cloth.
- To ensure lasting durability please take note of the following points: Never attempt to open the case of your watch. Batteries should be replaced by a qualified technician.



WARNING: You should not dispose of this device with your household waste. A selective collection system for this type of product is implemented by your local authorities. Please contact your local authorities to find out how and where collection takes place. These restrictions apply because electrical and electronic devices contain dangerous substances that have harmful effects on the environment or on human health and must be recycled. This symbol indicates that electrical and electronic devices are collected selectively. The symbol shows a waste container crossed out with an X symbol.

Imported by PRODIS SAS, 1 rue de Rome, 93110 Rosny-sous-Bois, France
Marketed by EUROtops Versand GmbH, Elisabeth-Selbert-Str. 3
D-40764, LANGENFELD, GERMANY
Made in the P.R.C

