

ENEROID

SMART BATTERY CHARGER & STORAGE

EN10A2 | EN10A2

Important Safety Instructions
User's Manual

Thank you for purchasing ENEROID.

This manual contains important safety and operating instructions for eneroid battery charger. Before Using, please read all of instructions.

Important Safety Instructions

1. Do not use the charger in humid conditions.
2. Do not use the charger if it has a damaged plug.
3. Do not use the charger after it has been dropped or damaged.
4. Do not open/disassemble the charger.
5. Unplug the charger before maintenance or cleaning.
6. Do not use the charger in direct sunlight.

This appliance is not intended for use by persons(including children) with reduced physical, sensory or mental capabilities, or lack of experience and knowledge, unless they have been given supervision or instruction concerning use of the appliance by a person responsible for their safety. Children should be supervised to ensure that they do not play with the appliance.

MAINTENANCE, CARE AND CLEANING :

- Care and cleaning is essential.
- Unplug charger from AC outlet.
- If necessary clean with a dry cloth to remove dirt and grime.
- Never immerse the charger in water or in any other liquid.

TEMPERATURE RANGE :

- Operating : -20°C~45°C
- Charging : 5°C~40°C



Seculine hereby declares that this product is in compliance with the essential requirements and other relevant provisions of EU directive requirement. The complete declaration of conformity can be found at www.eneroid.com

Design by Seculine.
Made in Korea.

○ Specifications

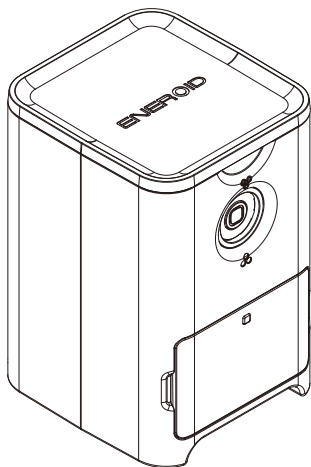
Model	○ EN10A2	○ EN10A3
Compatibility	AA battery (Ni-MH, Ni-CD)	AAA battery (Ni-MH, Ni-CD)
Dimensions	11.5 x 12.5 x18 cm	11.5 x 12.5 x18 cm
Weight	650 g	650 g
Input Power	USB-C type, 5V 2A	USB-C type, 5V 2A
Standby Capacity	12 ea	15 ea
Storage Capacity	21 ea	27 ea
Color	Body : White / Ring : Blue	Body : White / Ring : Green

○ Charging Time

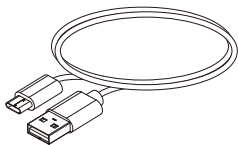
Battery	○ EN10A2	○ EN10A3
AA 1000mAh	About 1~1.5 hrs	-
AA 2000mAh	About 2~3 hrs	-
AA 3000mAh	About 3.5~5 hrs	-
AAA 300mAh	-	About 1~1.5 hrs
AAA 500mAh	-	About 2~3 hrs
AAA 800mAh	-	About 3.5~5 hrs

* Alkaline batteries have different charging times depending on their status and capacity.

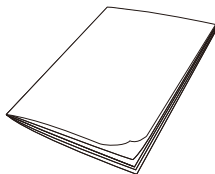
○ Package Contents



Eneroid Body

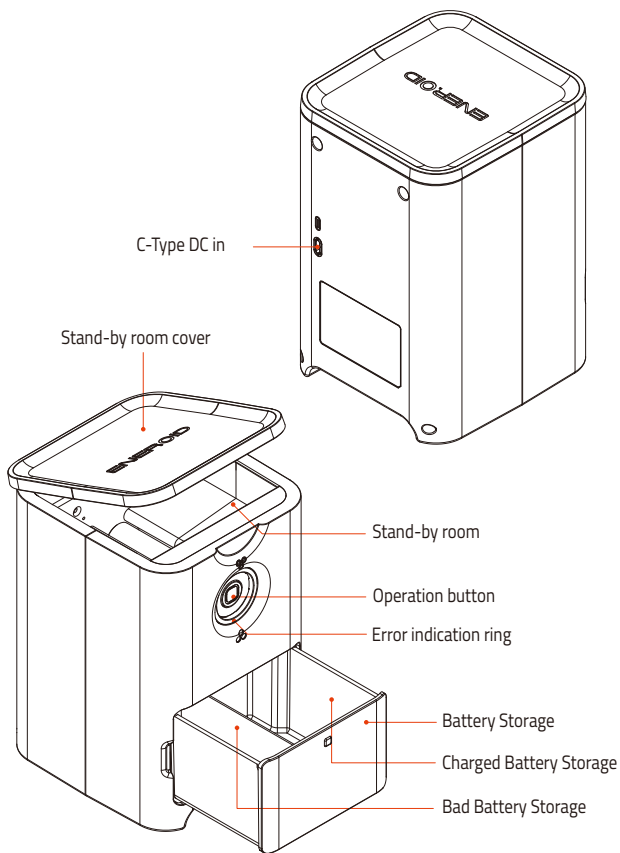


USB C-Type Cable

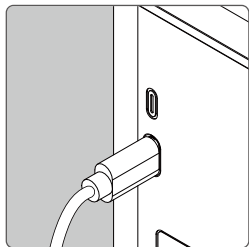
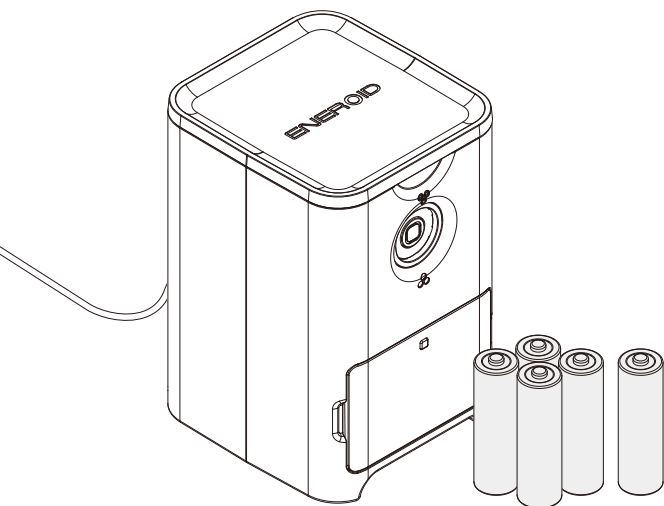


User Manual

○ Names of Each Part



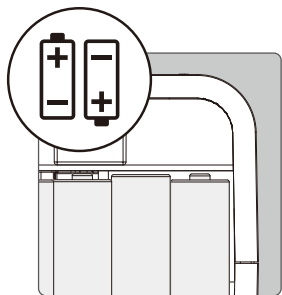
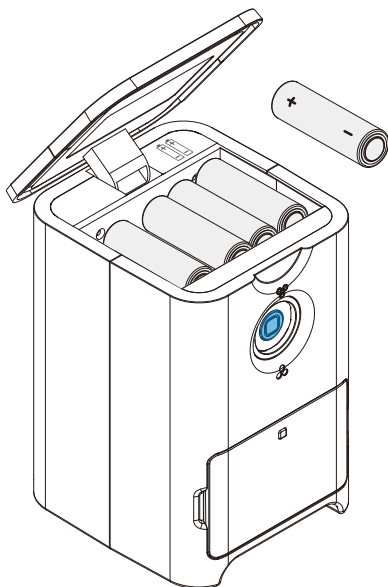
1



Connecting power

Connect the C-Type cable supplied at the back of the Eneroid. Press the power button briefly to enter standby mode (power button blue LED lights up).

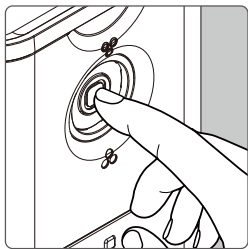
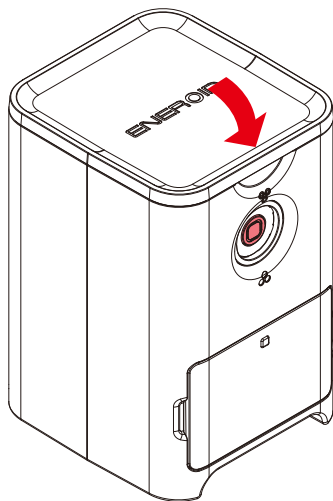
2



Any Polarity Direction

Regardless of the direction of the battery terminal, ENEROID is able to recognize the terminals and charge up the batteries automatically.

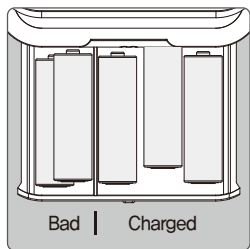
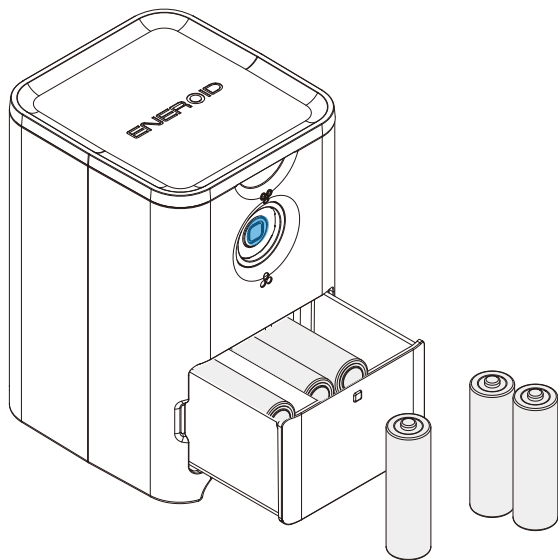
3



Charging the Batteries

Close the cover and press the power button in standby mode to start charging. While charging, the red LED on the Eneroid's power button blinks.

4

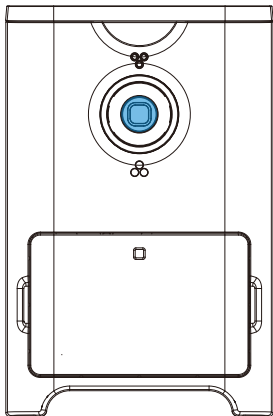


Using the battery

When charging is complete, the unit enters standby mode. Open the locker and use a charged battery on the right side of the locker. Discard the batteries in the defective battery compartment on the left side of the cabinet as they can no longer be reused.

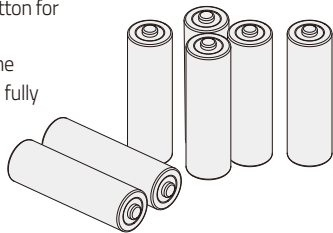
○ Sleep mode

While in sleep mode or charging, press the power button briefly to switch to standby mode. When in standby mode, the blue LED on the power button turns on. If you do not use your computer for a certain period of time, it goes to sleep (power button LED off).



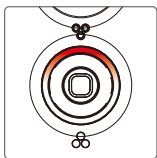
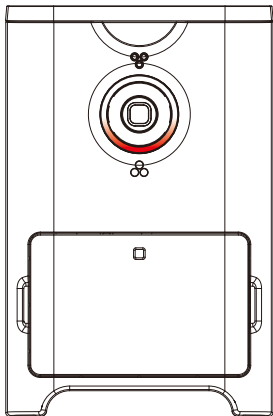
○ Manual battery drain

If you press and hold the power button for 3 seconds in standby mode, all the batteries in the standby part and the charging part are discharged to the fully charged storage box.



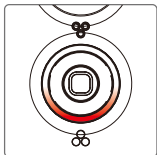
○ Error

You can handle the error situation intuitively with the LED lighting of the ring. When the LED above the ring lights up, open the cover and check the waiting area. When the LED below the ring lights up, open the storage box and check if the battery is full.



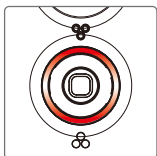
No battery in the stand-by room

The LED will light up at the top of the ring when the battery is hanging or there is no battery to charge. Open the cover and check if the battery is present.



Full Battery Storage

When the compartment is full of batteries and can no longer be ejected, the LED on the bottom of the ring lights up. Open the locker and collect the battery before use.



Other errors

When there is a malfunction or unknown problem, the LEDs light up at the top of the ring. Please contact the service center.

ENEROID

SMART BATTERY CHARGER & STORAGE

©2016 Eneroid. All rights reserved. Eneroid, the Eneroid logo, and other Eneroid marks are owned by Eneroid and may be registered. All other trademarks are property of their respective owners.

Eneroid assumes no responsibility for any errors that may appear in this manual. Information contained herein is subject to change without notice.

www.eneroid.com