

# MusicMan<sup>®</sup> \* User Manual

## Disco Speaker with Microphone BT-X53

The manufacturer Technaxx Deutschland GmbH & Co.KG hereby declares that this device, to which this user manual belongs, complies with the essential requirements of the standards referred to the Directive **RED 2014/53/EU**. The Declaration of Conformity you find here: **www.technaxx.de/** (in bar at the bottom "Konformitätserklärung"). Before using the device the first time, read the user manual carefully.

Service phone No. for technical support: 01805 012643 (14 cent/minute from German fixed-line and 42 cent/minute from mobile networks).  
Free Email: **support@technaxx.de**

**This device has a rechargeable battery. It must be fully charged before first use. NOTE: Charge the battery of the device every 2–3 month if it is not used!**

Keep this user manual for future reference or product sharing carefully. Do the same with the original accessories for this product. In case of warranty, please contact the dealer or the store where you bought this product. **Warranty 2 years**

***Enjoy your product. \*Share your experience and opinion on one of the well-known internet portals.***

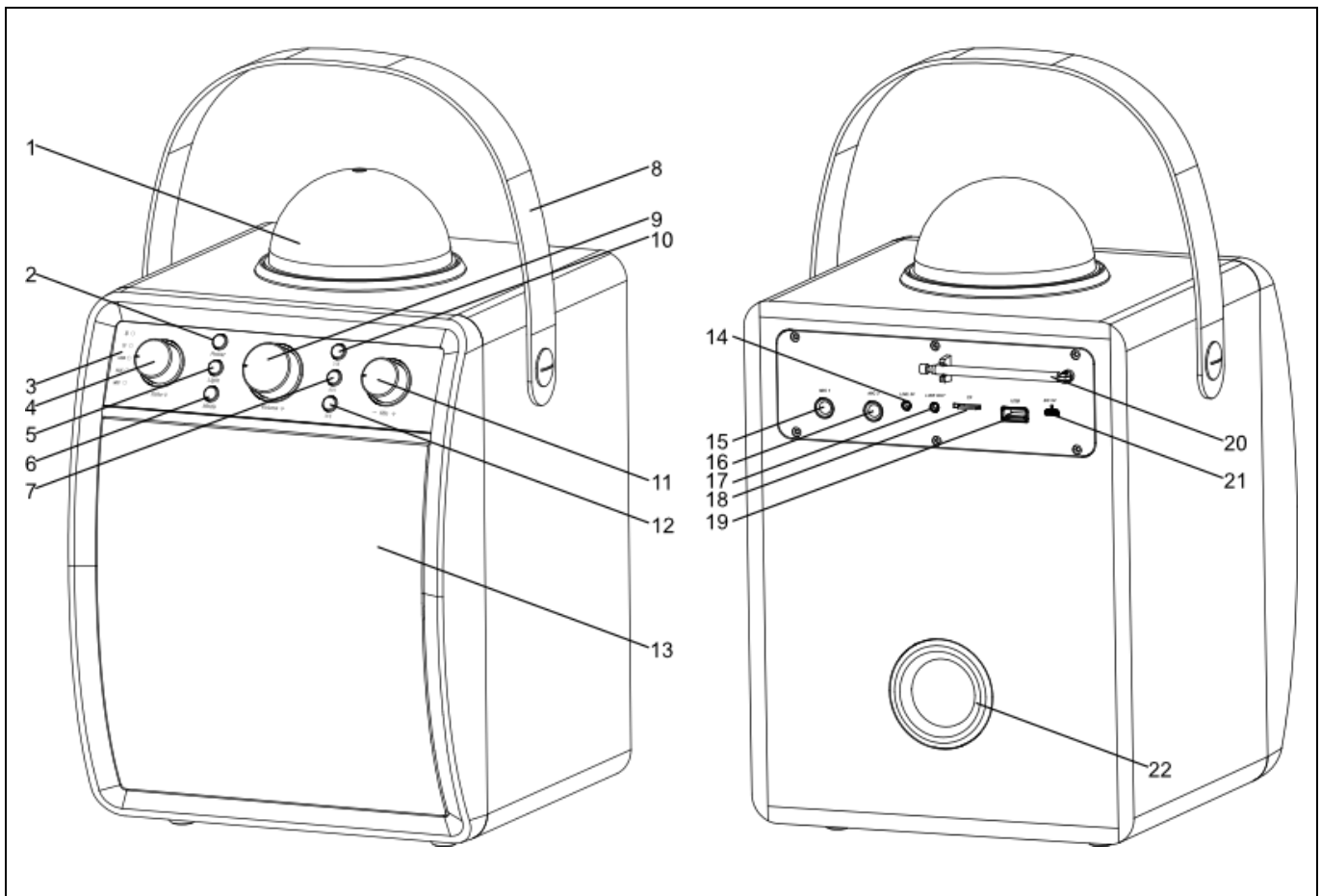
## Features

- LED lighted front panel with sound recognition
- Rotating disco light on the top
- Bluetooth, Micro SD, USB, AUX-IN and FM-Radio functions
- 30W loudspeaker
- Inclusive one microphone for singing
- 2 microphone plugs for duets
- Built-in 4000mAh battery

## Technical specifications

Bluetooth version	V4.2
Bluetooth	Transmitting distance <10m (open space) Frequency band 2.4GHz Radiated transmission power max. 2.5mW
Modes	Bluetooth, Micro-SD card, USB, AUX-IN, FM-radio
FM-Frequency	87.5-108MHz
Micro-SD / USB capacity	Up to 64GB
AUX-connector	3.5mm
Loudspeaker / frequency / impedance	30W Ø5inch / 90Hz-18kHz / 4Ω
Sound pressure level	>115db 1KHz / THD<1%
Playtime	4-6h
Charging time	4h (5V/1.2A)
Battery	4000mAh lithium polymer battery 7.4V / charging via Micro USB
Power input	DC 5V / 1.2A
Operating temperature	0°C up to +40°C
Material	PC / ABS / Wood
Weight / dimension	3.0Kg / (L)22.9 x (W)21.8 x (H)34.2cm
Package content	MusicMan® BT-X53, wired microphone, AUX cable, Micro-USB charging cable, user manual

# Product details



1	Disco light	12	Forward / next
2	Power	13	LED speaker grid
3	Modes LED indicator	14	Line in
4	Echo microphone	15	Microphone plug 1
5	Light button	16	Microphone plug 2
6	Mode button	17	Line out
7	Repeat / back	18	Micro-SD card slot
8	Handle	19	USB port
9	Volume +/-	20	FM-antenna
10	Play / pause	21	DC in 5V/1.2A (Micro USB)
11	Microphone volume	22	Bass port

## **First use**

Connect the speaker with the Micro-USB cable and a USB power adapter (not included in the delivery).

Press and hold the power button (2) for three seconds until the activation sound appears. The speaker starts up in Bluetooth mode. The working indicator LED turns blue. Now the device is ready for pairing. Open the Bluetooth settings on your Bluetooth device and select the „**MusicMan BT-X53**“ from the device list. You can also use the speaker with Aux-In, USB stick, or Micro-SD card. With the mode button (6) you can change the mode from Bluetooth to AUX, USB, FM-radio or Micro-SD card.

## **How to charge the LED Disco Speaker BT-X53**

The BT-X53 has an internal, rechargeable battery which must be fully charged before use for the first time. It takes about 4 hours to charge the battery full.

Please charge the speaker by using a common USB power adapter\* (DC 5V/1.2A) (\*not included). While charging the charging indicator LED above the Micro USB port will turn RED. When the speaker is fully charged, the charging indicator LED will turn off.

The fully charged battery of the speaker has power for up to 4 hours of playing time. The batterie status will be visible on your phone while connected with Bluetooth.

## **Modes**

### **Bluetooth Mode**

The speaker must be powered on before you begin to initiate the pairing. Pairing is the process of establishing a link between BT-X53 and a Bluetooth device.

**Note:** Activate the Bluetooth feature on the phone, and set the phone to search for Bluetooth devices. Check the user guide of your phone for instructions.

Select the speaker „**MusicMan BT-X53**“ from the list of found devices. When asked the PIN code, please enter “0000” to pair the speaker to your phone.

If the pairing is successful, you will hear a connection sound and the speaker enters idle state.

### **Auto reconnection**

When the BT-X53 is in off state, switch it on and it will reconnect automatically to the last connected device if it is reachable.

### **Micro-SD card mode**

Insert a Micro-SD card in the device in on state. The speaker will automatically play the songs from the Micro-SD card. You can also change the mode by press the mode button (6). The speaker supports up to 64GB Micro-SD cards.

### **AUX-Mode**

Connect the AUX-cable to any sound-source you will operate with. Like MP3 player, CD-player, or any other device which supports AUX (Headphone jack)

You can also change the mode by press the mode button (6) after the device is in on state. In AUX-Mode just the play/pause button is useable. For changing tracks please use the source device.

### **FM-radio**

To enter the FM-radio mode press the mode button until the AUX indicator LED is activated. Without an AUX cable attached, the speaker enters the FM-radio mode automatically.

To search for broadcasting stations, press the play button (10). Now the speaker searches for stations. Switch the channels with next (12) and back (7) buttons.

**Hint:** Plug in one of the following devices and the mode will be switched automatically to the plugged-in device mode. Micro-SD, USB or AUX.

## **LED light show**

Turn on the LED light show of the BT-X53 by press and hold the “Light” button (5). Both LED modes now in on state.

To change between the modes, single press the light button. The modes are following: both in on state / disco dome / LED grid. By press and hold the light button again, the Lightshow will turn off.

**Note:** Only the LED grid has sound recognition. It will change the lights depending on the sound.

## **Microphone**

To sing with the included wired microphone, plug it into the microphone plug (15) on the back. Turn on the microphone. The usage of the microphone is in every mode possible.

Both knobs "Echo" (4) and "Mic" (11) are used for the sound of the microphone. Echo sound option for a more or less short repetition of your own voice and the volume control for the general output sound of the microphone.

## **Troubleshooting**

If the BT-X53 fails to link to your mobile device or if it fails to play music after being connected, the user shall check if your mobile device supports A2DP. If you cannot connect the BT-X53 to your phone, do as follows:

Ensure that the speaker is charged or has a power connection and is in on state. Ensure that the Bluetooth feature is activated on your phone. Check that the speaker is within 10m of your phone and that there are no obstructions between the speaker and the phone, such as walls or other electronic devices.

The BT-X53 powers off or does not turn on again could be either a low battery or a problem with the power supply. Charge the BT-X53. (We suggest charging the BT-X53 all 2–3 month if it is not used for a long time.) If the speaker has problems to play from USB or Micro-SD sound files, please check the correct formatting of the sources. They should be formatted in exFAT / NTFS.

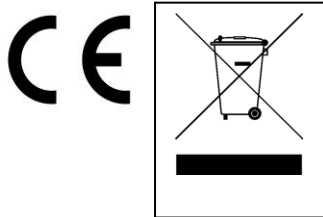
The maximum supported data storage is 64GB. The USB port doesn't support any external hard disk drive (HDD).

## Notes

- Noises are heard from the BT-X53 could be a poor Bluetooth signal. To avoid noise, stay within the Bluetooth range of ~10m.
- Avoid prolonged exposure to excessive volume that may cause noise-induced hearing impairment.
- Turn the volume down before start play with any sound source, then adjust it to the right volume.

## Warnings

- Do not disassemble the BT-X53, it may result in short-circuit or damage.
- Battery warning: Improper use of the battery may cause fire or chemical burns. The battery may explode in case of damage.
- Do not modify, repair or remove without professional guidance.
- Do not use corrosive or volatile liquid for cleaning.
- Do not drop or shake the BT-X53, it may break internal circuit boards or mechanics.
- Keep the BT-X53 in dry and ventilated environment. Avoid high humidity and high temperature. Also, batteries should not be exposed to excessive heat or direct sunlight.
- This BT-X53 is not water-resistant; keep it away from moisture.
- Keep the BT-X53 away from little children.



**Hints for Environment Protection:** Packages materials are raw materials and can be recycled. Do not disposal old devices or batteries into the domestic waste. **Cleaning:** Protect the device from contamination and pollution. Avoid using rough, coarse-grained materials or solvents/aggressive cleaner. Wipe the cleaned device accurately. **Distributor:** Technaxx Deutschland GmbH & Co.KG, Kruppstr. 105, 60388 Frankfurt a.M., Germany