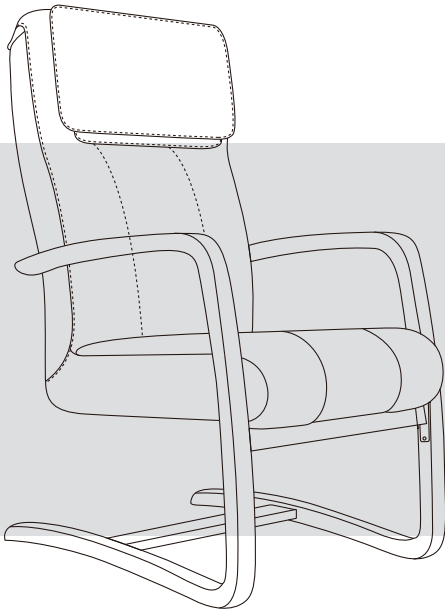


Instruction Manual

Model No. **AT-233B**



Before operating this unit, please read these instructions completely.

Hello

Congratulations on purchasing your new Relax Massage-chairs.

At Alpha Techno we understand that every body is different and have carefully designed your massage chair with that in mind. But enough about us, this is about you. Learning how to use your new chair is simple(we designed it that way).

So let's get started.

TABLE OF CONTENTS

Safety instructions	2-3
Controller disgram	4-6
Chair installations	7-8
Features	9
Troubleshooting	10
Product specifications	11

1 Safety Instructions

• There are certain precautions that should be taken during the operation of the massage chair. Read and follow these safety instructions carefully in order to ensure safe operation and to prevent injury and/or product damage.

DANGER--- to reduce the risk of electric shock:

Always unplug the massage chair from the electrical outlet immediately after using and before cleaning.

WARNING--- to reduce the risks of burns, fire, electric shock, or injury to persons:

- Please ensure that you insert massage chair plug into a proper electrical outlet.
- Make sure the power plug is securely inserted into the proper electrical outlet to reduce the risk of short-circuit and fire.

Always unplug the massage chair from the electrical outlet immediately after use and before cleaning.

- Do Not use the massage chair in places where the humidity is high.
 - Do Not use the massage chair outdoors and avoid places with direct sunlight.
 - Do Not operate under blanket or pillow. Excessive heating can occur and cause fire, electric shock, or injury to persons.
 - Never operate the massage chair if the power cord is wet or damaged.
 - Never plug/unplug the power cord from the socket with wet hands.
 - Close and continuous supervision is necessary when this appliance is used by, on, or near children, invalid or disabled person.
 - Use this appliance only for its intended use as described in this user manual.
 - Do Not stand, sit or jump in the calves rest when shiatsu recliner is in use. This may result in injury to you.
 - Do Not attempt to stand on the backrest and armrest. This may result in injury.
-

-
- Be careful not to fall asleep during the massage.

Always keep the massage chair clean and never insert any object into the gaps on and around the massage chair.

- Do Not move the massage chair by pulling the power supply cord.

Ensure that there are no persons(children in particular), pets or obstacles underneath the massage chair prior to lowering legrest/backrest.

- If you experience pain during usage, stop using the massage chair immediately. If any injuries occur, consult a doctor immediately.

- Never massage swollen or inflamed parts of the body.

● This product is non-professional appliance designed to provide a comfortable massage. Do not use this product as a substitute for medical treatment.

- Do Not use the shiatsu massage mechanism for more than 30 minutes at a time.

● Do Not operate where spray products are used or where oxygen is being administered.

- When the unit is working, do not touch the spinning massage mechanism with any body part except back.

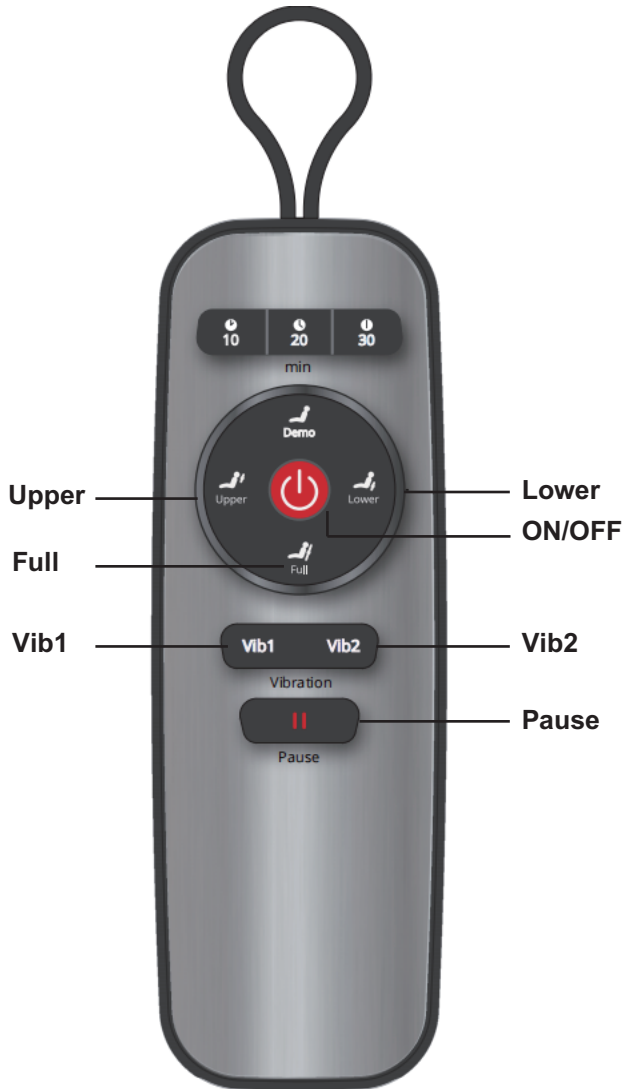
● If the fabric or material covering the massage mechanism becomes torn or damaged, discontinue use.

- Never put any body part (i.e. fingers, hand) into the interior of the unit.

Only gentle force should be exerted against the unit in order to eliminate any/all risk of injury.

- You may soften massage force by placing a towel between yourself and the unit.

2 Controller



3 OPERATION GUIDE

NOTE: Please pull the padded flap covers when use.

Please note that in the massage chair position, the massaging heads will protrude out in the lumbar region and may be uncomfortable. To minimize discomfort, you may choose to place a foam lumbar support cover over the massaging heads when the massaging features are switched off.

1) Controller-massage functions operation

10min/20min/30min

You could adjust the massage time to press these buttons.

DEMO

To start to activate the massage chair.

FULL

Press this button to activate the kneading massage on your full back. Move from up and down. Press again to deactivate.

UPPER

Press this button to activate the kneading massage on your upper back. Press again to deactivate.

LOWER

Press this button to activate the kneading massage on your lower back. Press again to deactivate.

VIBRATION

For vibration when massage is on. Simply press the button. There are two options of massage strengths: low and high. The default setting is low. To change the strength of your vibration massage, simply press the button Vib2. Press again to deactivate.

PAUSE

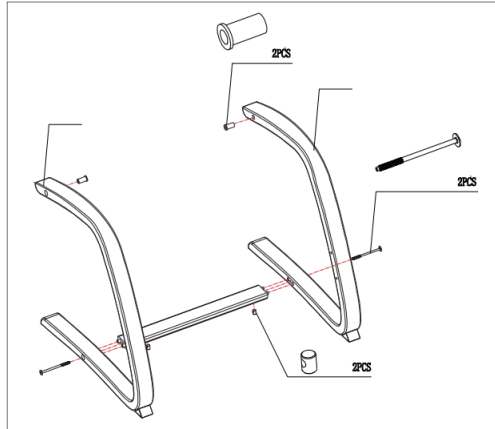
If you would like to stop massaging, simply press the button. Press again to start again.

POWER

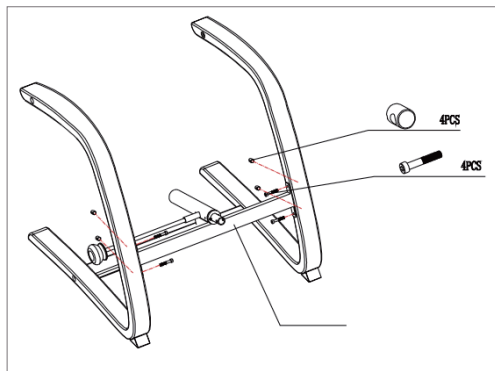
Press the power button to turn on the massage function. The LED indicator will illuminate and confirm your selection. To turn off the massage function, simply press the button again. The LED indicator will blink while the dual massage mechanism returns to its lowest point and then it will turn off.

4 Chair Installations

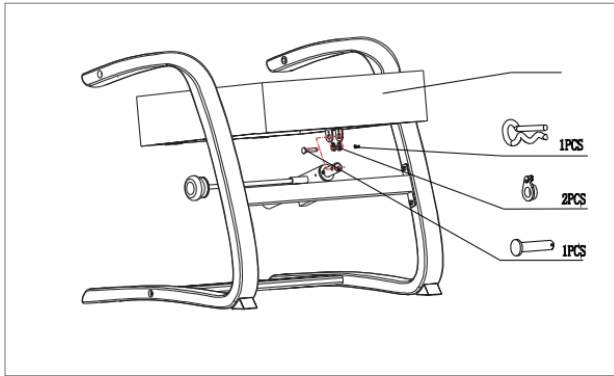
Step 1: To install the footrest, use the screw to fix the connector.



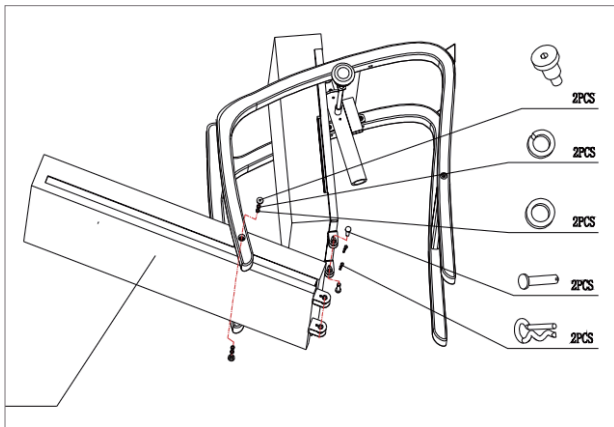
Step 2: Use the screw to fix the specified location on footrest.



Step 3: To install seat part. Use the screw and connector to fix position which mentioned in step 2.



Step 4: To install backrest. Use screw to fix it together with seat part and footrest.



5 Features

Adjust side knob to put chair in any reclining positions you would like.

3 choices of massage program:

- Full back
- Lower back
- Upper back

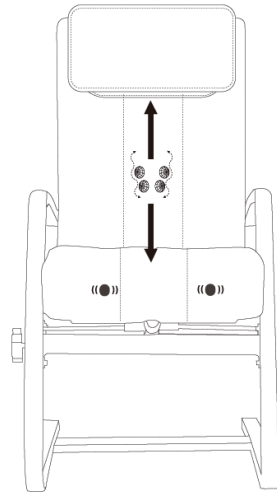
Soothing heat:

- Increase the benefits of massage
- Helps muscles relaxation
- Stimulates blood circulation

Programmed Vibrating massage in seat

2 different levels of intensity:

- Helps relaxation
- Eliminates muscle stiffness



Cushion and comfortable cover: for a gentle massage

Use-friendly controller imbedded on the armrest.

Comfortable and stylish design.

6 Troubleshooting

The massage chair mechanism is controlled by a microcomputer and is susceptible to power surges of +10 to-10%. The following situation may display in the event of a power surge:

Situation	Solution
The shiatsu mechanism is connected to the power supply but is not function.	Check to see that the plug is well connected and working.
The controller works, but the shiatsu massage mechanism is not functioning.	The shiatsu massage mechanism may have overheated due to prolonged use. Turn off the power and allow the shiatsu massage mechanism to cool for 30-50 minutes.
Both the controller and the shiatsu massage mechanism are not functioning.	<ol style="list-style-type: none">1. Make sure the shiatsu massage mechanism is plugged into a working outlet.2. Turn the power off and then on again.

7 Product specifications

Description	Specifications
Product	AT-233B
Rated voltage/Frequency	230V/50Hz
Power	25W
Timer	10/20/30 Minutes
Dimension	Carton package size(L*W*H): 880*680*380MM Recline size(L*W*H): 1160*610*940MM Upright size(L*W*H): 740*610*1090MM
Weight	Gross weight: 26.5KGS Net weight: 20KGS